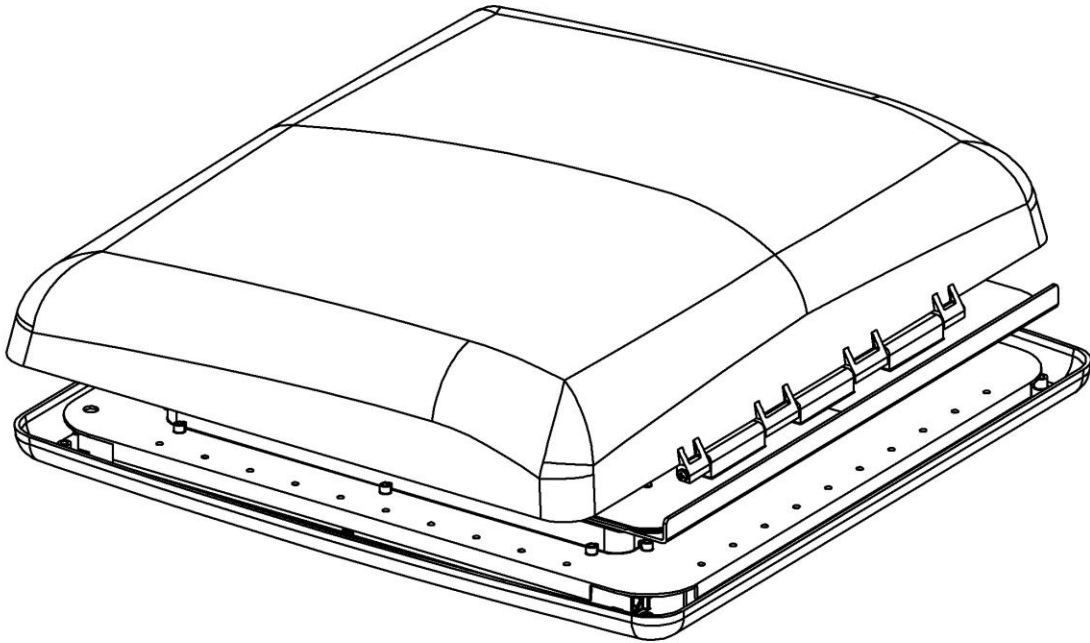


MAXXAIR®

REPAIR PARTS LIST FOR SKYMAXX & SKYMAXX Plus International Models 97500i, 97500iA, 97510i, 97510iA



WARRANTY INFORMATION

Please have the **MODEL NUMBER & SERIAL NUMBER** of your **SKYMAXX** available when **calling for parts and service**. The model number and serial number are on the back page of the Installation/Operation Manual. The model number is also on the ceiling flange which is viewable by removing the interior frame assembly.

For technical assistance, repair parts or warranty claim assistance concerning your **MAXXAIR SkyMaxx**, please contact your local AIRXCEL distributor or email us at rvpsupport@airxcel.com.

For Full WARRANTY Terms and Conditions on products purchased in Australia or New Zealand, please visit www.coastrv.com.au or www.coastrv.nz.

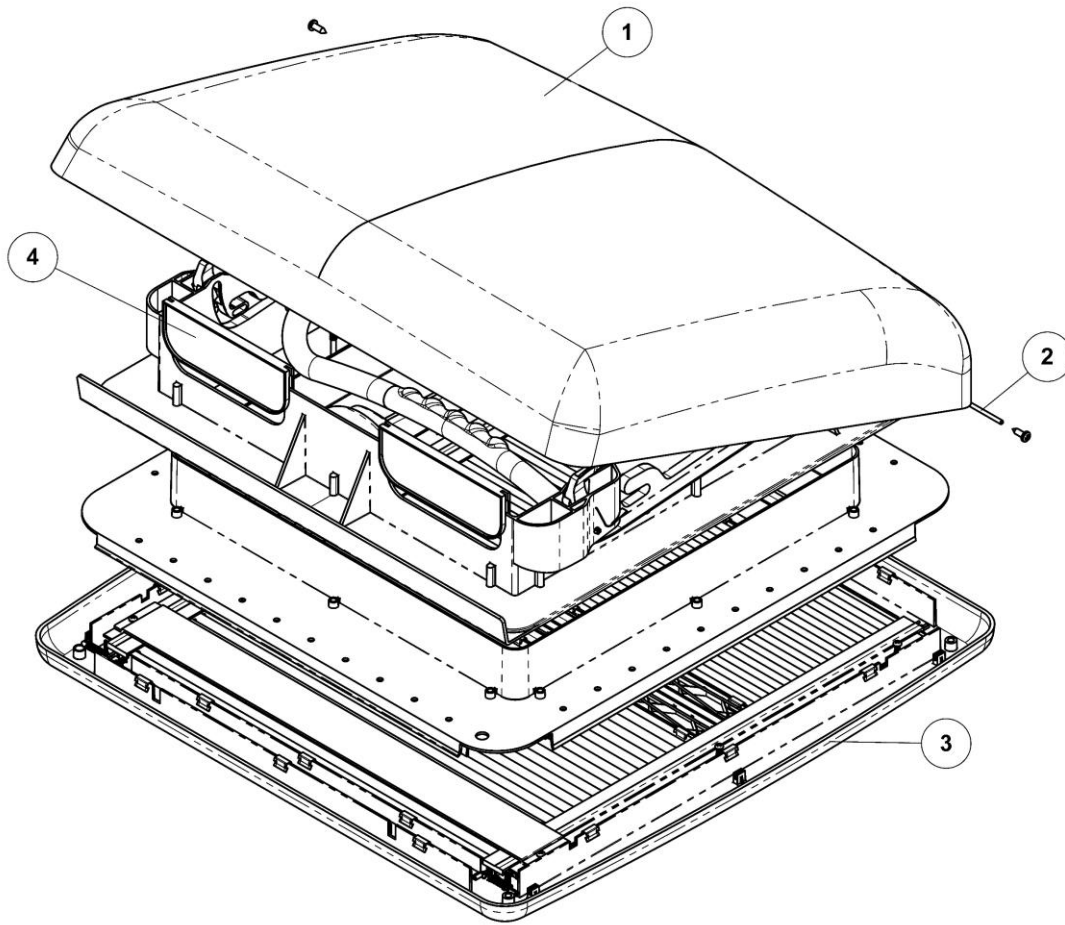
For Full WARRANTY terms and conditions, on products purchased outside of the US, Australia or New Zealand, please contact your AIRXCEL, Inc. distributor.

WARNING! To reduce risk of fire, injury to persons or damage to property, use only in the manner intended by AIRXCEL, INC. Should you have questions, please contact AIRXCEL/MAXXAIR Customer Service at rvpsupport@airxcel.com.



An AIRXCEL Brand

REPAIR PARTS LIST
FOR SKYMAXX & SKYMAXX Plus International
MODELS 97500i, 97500iA, 97510i, 97510iA



CODE	USED ON MODEL	PART NUMBER	DESCRIPTION	NO. REQUIRED
1	All	11-00105i	Lid Assembly	1
2	All	11-00138i	Hinge Pin	1
3	97500i	11-00175i	Interior Frame Assembly	1
	97510i	11-00150i	Interior Frame Assembly (LED)	1
4	All	05-00185i	Vent Insert w/ Screen	2
	All	11-00185i	Vent Insert Blank	2
ns	All	11-00160i	Hardware Kit	1

Code ns - Not Shown

Small Parts Package

Mounting Screws 11-00173i