

USER MANUAL  
BENUTZERHANDBUCH  
MANUEL DE L'UTILISATEUR  
MANUALE D'USO



**XZENT** X-127



1-DIN DAB+ Infotainer with adjustable 9-inch display  
1-DIN DAB+ Infotainer mit einstellbarem 9 Zoll Display  
Infotainer 1-DIN DAB+ con display da 9 pollici regolabile  
Infotainer 1-DIN DAB+ avec écran réglable de 9 pouces

**ABOUT THIS MANUAL**

This manual contains important information and warnings about the operation of this XZENT unit. Please store it in a place where you have access later on.

SAFETY INFORMATION	3
DEVICE SUPPORT, SOFTWARE UPDATES AND MAINTENANCE	4
FRONT PANEL	5
ADJUSTMENT OF THE DISPLAY POSITION	6-7
MAIN MENU	8
STEERING WHEEL CONTROL (OE mode, IR-Stalk-interface)	9-11
DEVICE SETTINGS	12-13
DAB RADIO SOURCE	14
FM RADIO SOURCE	15
USB/iPod/BT MUSIC (A/V) SOURCE	16-17
BLUETOOTH PAIRING, CONNECTING, CALLING, MUSIC	18-19
APPLE CARPLAY SOURCE	20
GOOGLE ANDROID AUTO SOURCE	21
CAMERA SOURCE	22
A/V-IN, HDMI SOURCE	23
TERMS OF WARRANTY	24-25
ADDITIONAL INFORMATION, TECHNICAL SPECIFICATION	26

**General**

1. The descriptions and other content shown in this manual may deviate from the real device.
  2. Pictures shown in this manual and some HMI screenshots may deviate from the real unit.
  3. Specifications and technical design of this device model are necessarily subject to change without notice.
- Read the instructions entirely. Heed all warnings. Follow the instructions.
  - Retain this manual. Whoever will use the unit should have access to this manual.
  - This unit is designed to be functional in vehicles with 12 V DC battery and negative ground.
  - Do not operate the unit in any other way than described in this manual. Failure to follow the instructions as provided may void your warranty.
  - Do not disassemble or alter the unit in any way because this will void your warranty. Do not attempt to repair or to service the unit yourself, but contact an authorized XZENT dealer instead.
  - Use only original accessories which are designed and manufactured for the unit, otherwise you will risk damage. Install the unit according to the mounting instructions by using the supplied mounting accessories. Acceleration forces during accidents can be huge. Incorrectly mounted devices pose a serious risk for the driver and passengers during an accident.
  - Protect the unit from water and other liquids that could enter the housing. A short circuit or even a fire could result.
  - To prevent a short circuit, never insert any metallic object (such as coins or metal tools) into the unit.
  - Before you replace a defective fuse try to find the cause for the short circuit. Pay attention to the cables of the power supply! If the short circuit does not result from a failure of the power supply or wiring, you can replace the defective fuse with a new one (of identical value). If the shortcircuit persists, contact an authorized XZENT dealer.
  - When connecting to any other device, read the user's guide for compatibility and notes on electrical connections. Do not try to connect incompatible products.
  - Be careful not to drain the car battery while using the unit when the car engine is turned off. Because the unit consumes a considerable amount of energy and the battery will be charged only while the engine is running, it might happen that the battery will discharge to a point where it is not possible to start the engine anymore.
  - According to the law in different European countries, driving with monitors showing movies in the viewing range of the driver is not allowed, because the driver might get distracted from traffic. Please respect the traffic regulations of your country or you may face legal penalties in case of accidents or even lose your insurance coverage. Pay attention to the playback volume inside your vehicle since you are required to notice exterior warning sounds like police sirens etc..
  - Don't expose the unit to hard impacts. A mechanical or electrical malfunction of the unit could be the result.
  - Should any problems or questions occur during the installation, please consult your XZENT dealer/importer.

# DEVICE SUPPORT, SOFTWARE UPDATES AND MAINTENANCE

Software updates and improvements are provided via USB updates which can be downloaded from our website [www.xzent.com](http://www.xzent.com) Also customer care, FAQs and other helpful information can be found there.

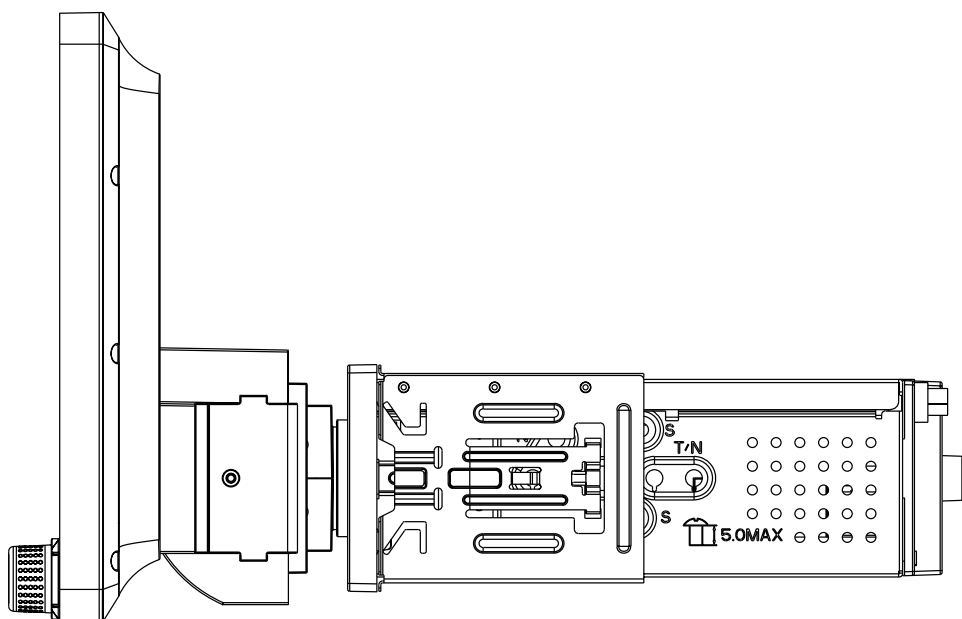
**ATTENTION:** this device has specific USB ports with special functions (USB-1, gray) and (USB-2, black). The extension cables are distinguishable thru text-label to ensure proper identification.

Software updates provided via XZENT MUST be installed on "USB-1" (USE FOR SW UPDATE). If the installation has been done by 3rd party without proper marking/identification of the extension wire – do try the other port in case of update-failure.

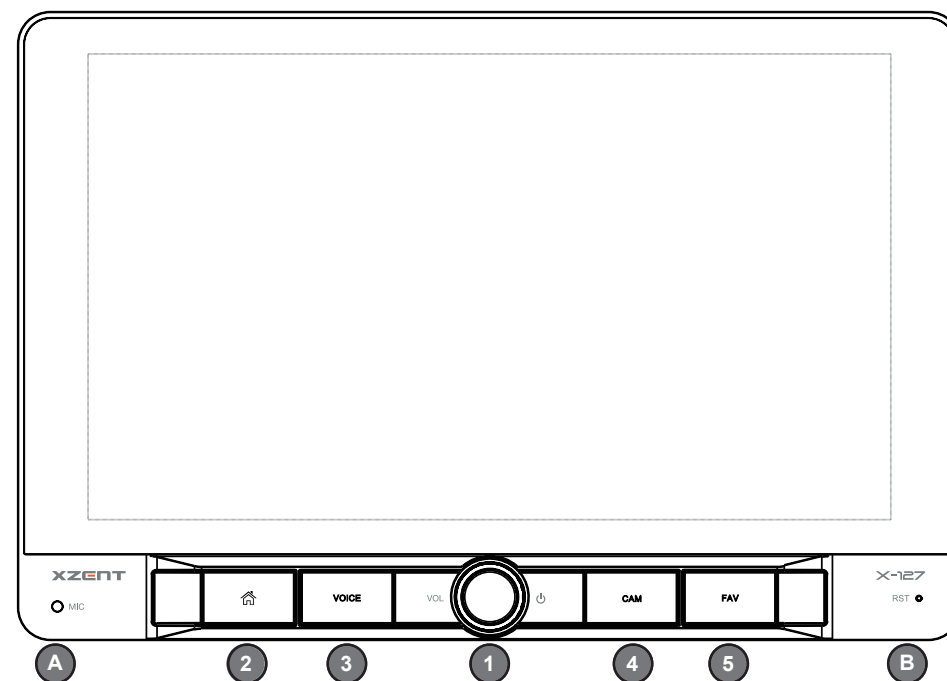
USB1 (gray): For Smartphone Connectivity:

- Apple Car Play,
- Google Android Auto,
- Software Updates

USB2 (black): For charging phones or UBS media playback.



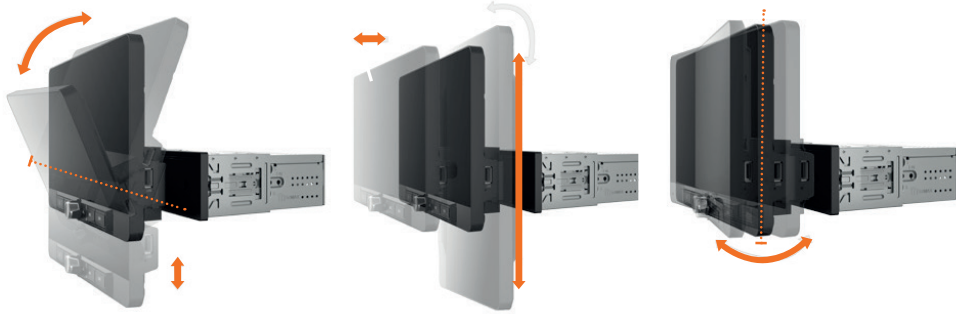
# FRONT PANEL



### Operation buttons:

- |    |            |  |
|----|------------|--|
| 1. | VOL/POWER: | Press and hold for standby mode (Screen OFF, Audio OFF).<br>If powered on, press to mute.<br>If powered off, press to power on.<br>Rotate clockwise to increase audio volume.<br>Rotate anti-clockwise to decrease volume. |
| 2. | Home       | Press to return to home screen.<br>Press in home screen to go to last source (if available).   |
| 3. | VOICE:     | Press to start voice recognition (in use with CarPlay or Google Android Auto)  |
| 4. | CAM:       | Press to show default camera, press again to close the camera view.  |
| 5. | FAV:       | Press to execute assigned FAV shortpress function from device settings (see chapter device settings).<br>Press and hold to execute assigned FAV longpress function from device settings (see chapter device settings).     |
| A. | MIC        | internal microphone for handsfree functions.   |
| B. | RESET      | Press to perform a power reset.  |

## ADJUSTMENT OF THE DISPLAY POSITION



### Adjustment of the display position (vertical height, horizontal viewing angle and tilt).

The display of the X-127 can be adjusted vertically in height as well as in viewing angle and tilt.

#### Note:

- Adjustments to the display should not be made while driving.
- Observe the safety instructions of the vehicle. Also pay attention to the accessibility of buttons such as warning lights or air outlets.
- The display should always be held with both hands „parallel“ (left and right centered) to adjust it.
- The X-127 should be firmly mounted.

#### Viewing angle adjustment and tilt:

Grasp the display at the center of the left and right edges and push with one hand and pull with the other to adjust the viewing angle. For the tilt angle, perform a tilting motion away from or toward yourself with both hands.

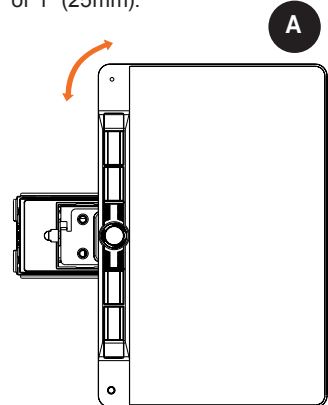
Height adjustment:

Grasp the center of the display at the left and right edges and slide the display up or down.

Depth adjustment requires partial disassembly and adjustment of the standard mounting. Pay attention to the separate section explaining this.

## CUSTOMIZING DISPLAY DEPTH ADJUSTMENT

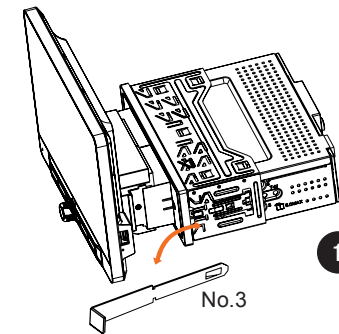
The depth adjustment of the display can be changed from default 0" setup (0mm) to 1/2" (12.5mm) or 1" (25mm).



**A**

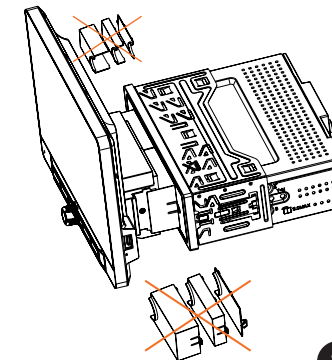
Prerequisite: X-127 is disengaged from 1DIN dashboard and no mounting cage is fitted.  
To unlock the device from 1DIN dashboard, rotate the display group to a 90° position by holding the panel group with both hands and rotating it clockwise or anti-clockwise for 90°. Loosen the trim bracket from main body and insert the device release keys No.3 at corresponding gap on left and right side (centre, between the main body and the 1-DIN mounting bracket – see picture). The release keys need to be inserted deep enough to disengage the clamp of the mounting bracket. Pull the X-127 out once the mounting bracket clamps are fully disengaged.

## CUSTOMIZING AND DISPLAY DEPTH ADJUSTMENT



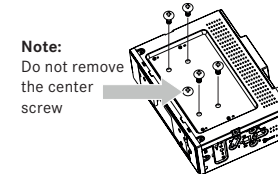
#### Step 1:

Remove the cover No.14 of the adjustment mechanism

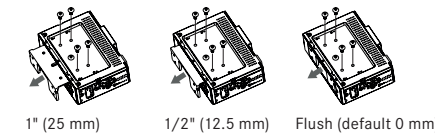


#### Step 2:

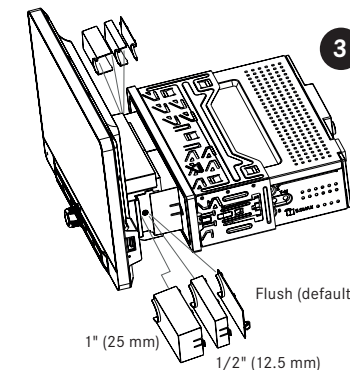
Remove the 4 outer top screws and leave the center screw fastened. Gently pull the display-mounting-bracket by pulling on the display panel from the chassis to the desired 1/2" or 1" position. To lock it in place, fasten the 4 outer top screws (see figure).



Note:  
Do not remove the center screw

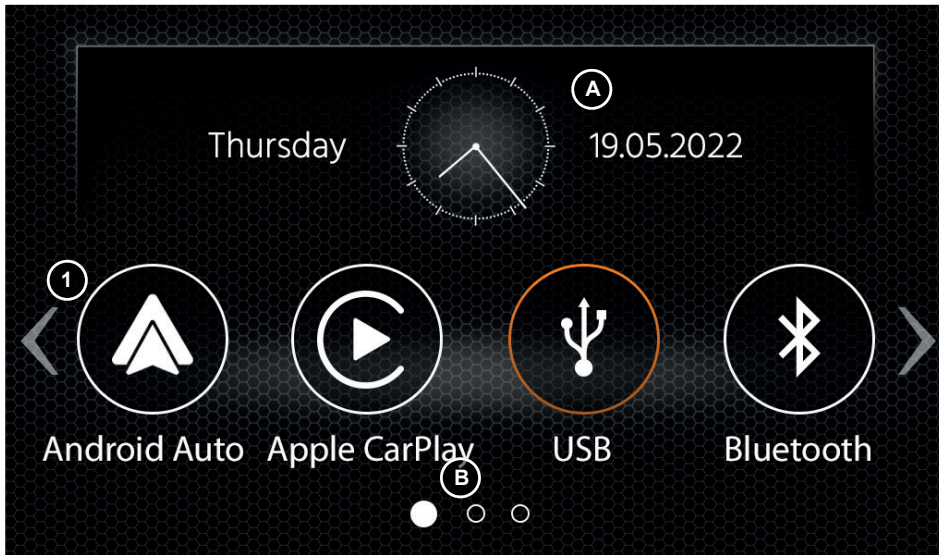


1" (25 mm)      1/2" (12.5 mm)      Flush (default 0 mm)



#### Step 3:

Reinstall or install the X-127 to 1DIN dash board (see separate chapter). Installation process is same as default but other covers No.14 for the adjustment mechanism is required at the end.



**MAIN MENU operation buttons and display**

- A Time and date.
  - B Page indicator.
1. Source Icon Press to open selected source.

To browse the different source icons, swipe left or right. Alternatively you can press the arrow keys to browse the different pages.  
 To return to this screen you can press the HOME front sensor key or the return arrow button in top left corner of every source.

The XZENT device is pre-configured to work with an IR-Stalk-Interface which is NOT included in the set. Alternatively an existing analogue steering wheel control can be connected to XZENT Analogue Key interface (Key1 / Key2 / GND).  
 X-127 has 2 different modes, MODE-2 (default for high ohms values) or MODE-1 (for low ohms values) to support different ohms ranges. The ohms ranges of each mode cannot be mixed to support SWC that have both mixed low and high ohms values.

**MODE 2 (HIGH OHM BASED):**



**Operation buttons:**

1. Skip next: this button follows the Graphical User Interface (GUI) function of the active audio source.
2. CAM/voice: press to activate CAM source. Press again to close CAM source. Press & hold to activate CarPlay or Google Andorid Auto voice control.
3. Skip last: this button follows the Graphical User Interface (GUI) function of the active audio source.
- 4 . Vol+: press to increase active audio volume level.
5. Mute/Pickup/hangup: While no active call, press to MUTE or unmute all audio. During incoming call (ringing), press to pick up call. While active call, press to end call.
6. Vol-: press to decrease active audio volume level.

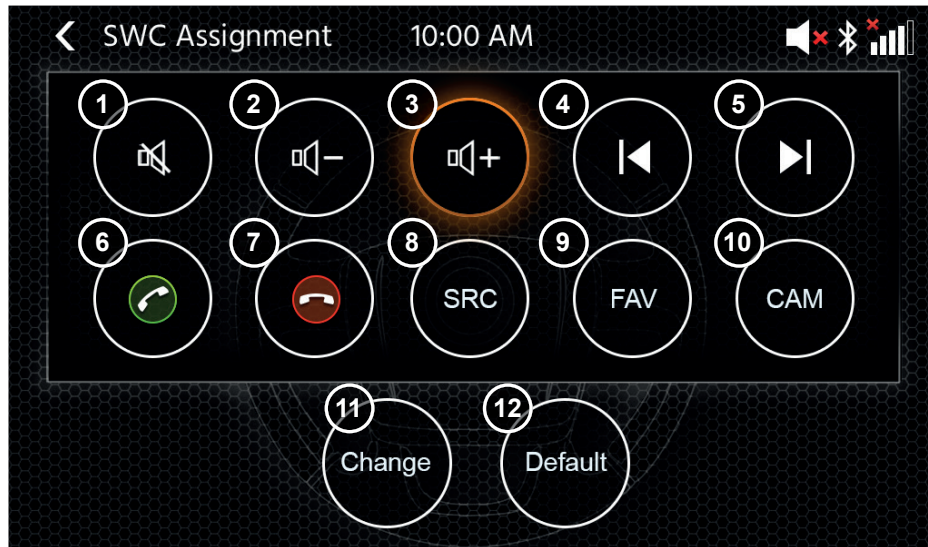
A: You can customize the buttons of your SWC to your preference by placing standard or alternative buttons to your SWC. The process is explained at the end of this chapter.

**Alternative buttons:**

- Each mode has different alternative buttons for assignment.
- A1. Alternative function SRC or SRC/Voice: Press to select a different Source via Main Menu highlighting, or press and hold to activate CarPlay or Google Andorid Auto voice control.
  - A2. Alternative function FAV or NAV/voice: Press to invoke the assigned FAV function from Setup or press to start native navigation (not for X-127), press and hold to activate CarPlay or Google Andorid Auto voice control.

B: This button will reset any custom configuration on the SWC back to factory settings.

## MODE 1 (LOW OHMS BASED):



### Mögliche Tastenfunktionen und Bedientasten

1. MUTE: short press to mute the XZENT audio output. Press again to undo the mute function.
2. Vol- short press to reduce the volume of the current active audio channel (media vol, voice, etc.).
3. Vol+ short press to increase the volume of the current active audio channel (media vol, voice, etc.).
4. Skip back short press to while media source DAB, USB, FM, etc. is active to do the same touchscreen button operation.
5. Skip next short press to while media source DAB, USB, FM, etc. is active to do the same touchscreen button operation.
6. Pickup short press to accept incoming call.
7. HangUp short press to end ongoing call.
8. SRC: Press to select a different Source via Main Menu highlighting.
9. FAV short press to execute assigned FAV function from device settings (see chapter device settings).
10. CAM short press to open camera source. Press again to close.
11. Change short press to remove current steering wheel button assignments and reassign them (see next Chapter).
12. Default short press to load default values of mode 1.

### SWC (re)Assignment process:

The process is similar to both SWC modes and only differs by other standard and alternative buttons. The standard and alternative buttons function are explained at the beginning of this chapter for each mode. You can re-assign the buttons of your SWC. Please note that this mode is NOT for the IR-stalk interface mode. Press the "Change" button to start re-assigning the functions to your liking. The system will clear all buttons from the steering wheel and marks the top left SWC button which shall be assigned first. You need to assign all cleared buttons one by one from top left to bottom and then the right side from top to bottom. The current button which is to be assigned with a function will be hi-lighted for you. Example: To assign a function, select a function icon via touch from the middle (for example SRC / voice). After the desired function (in this example SRC / voice) is marked, press the corresponding SWC-Button (in this example top left). The system will now gray-out the SRC / voice button in the middle and put the SRC / voice function to the top left SWC button. Later you can trigger SRC / voice by pressing the top left SWC icon (instead of default MUTE). After the first button is assigned, the system will hi-light the next button to be assigned by a still available (non-grayed-out) function from the middle. After all buttons on the SWC are defined – you can close the SWC assignment and use the new configuration from now on. To restore back to default values press the "Default" button. The functions will then restore to standard values.

### Board/Trip-Computer:

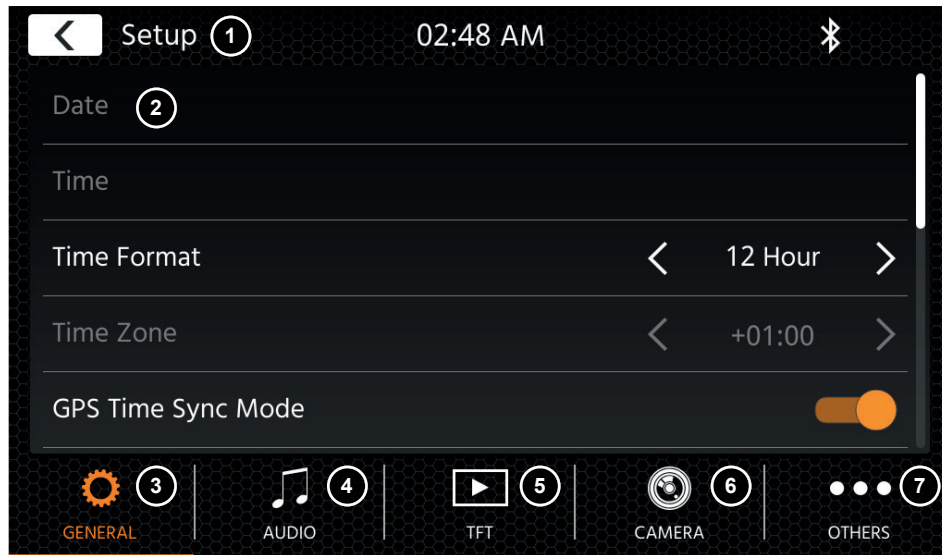
The SWC buttons for trip-, board computer and cruise control operation are directly assigned to the related vehicle functions, e.g. the function of these buttons on the steering wheel is completely independent of the device mounted in the vehicle.

### Note:

The SWC related functions are only available if the device is connected with a compatible stalk-interface via IR in wire to a compatible vehicle model or via (Analog Key) if existing in the vehicle.

CAN IR stalk interface modules are being developed by various providers and, as soon as these are available, details on support can follow.

The change from mode 1 to mode 2 must be completed by restarting the device.



## Operation Buttons:

1. Return Press to return to the home screen.
2. List area The shown list area is depending on the currently selected category. To see other settings you can scroll/swipe the list up and down or select different category from the lower area.
3. General Contains general settings like language, date&time, FAV key assignment.
  - 3(a) System Language: Press arrow keys to select language.
  - 3(b) Time sync mode (DAB+): Press switch to ON/OFF setting.
  - 3(c) FAV short press: Press arrow keys to assign a different function.
  - 3(d) FAV long press: Press arrow keys to assign a different function.
  - 3(e) Beep: Press switch to ON/OFF setting (Enable/Disable key press beeps).
  - 3(f) Microphone: Press arrow key to change selected microphone.
  - 3(g) Wallpaper: Press to select different background.
  - 3(h) Key Illumination: press to change key color illumination
  - 3(i) Date: Press manually set a date (only possible if the sync modus is set to OFF).
  - 3(j) Time: Press to manually set time (only possible if the sync modus is set to OFF).
  - 3(k)Time Zone: Press to manually set time zone.
  - 3(L)Time Format: Press arrow keys to change 12/24h format.
  - 3(M) Apple connectivity: press to change mode
4. Audio Contains setting for audio and sound adjustments.
  - 4(a) Balance: Press arrow keys to shift the center to left or right position.
  - 4(b) Fader: Press arrow keys to shift the center to front or rear position.
  - 4(c) Equalizer: Press to open EQ. You can select different EQ-Presets or manually

change the frequency bands to your liking.

Balance and Fader can also be optically adjusted or LPF, Subwoofer level and Loudness can be adjusted.

4(d) Loudness: Press to ON/OFF loudness.

4(e) Subwoofer Power: Press to ON/OFF subwoofer power.

4(f) Subwoofer Gain: Press arrow key to change subwoofer gain if Subwoofer Power is set to ON.

4(g) Startup volume: Press more key. Here you can change individually all available sources in regard of startup volume.

You can choose to apply the last used volume, or set a fix volume on startup.

## 5. TFT

Here you can adjust settings in regard of the screen for example brightness mode or brightness values.

5(a) TFT brightness day: Press arrow keys to set value for day mode.

5(b) TFT brightness night: Press arrow keys to set value for night mode.

5(c) Dim mode: Press arrow keys to set value.

Auto: the brightness is adjusted automatically with switching on the front headlights of the vehicle (Night).

Day: the brightness is permanently at day value.

Night: the brightness is permanently at night value.

5(d) Touchscreen Auto Standby: On set idle time, the screen will be powered off when not operated (audio will continue in background).

## 6. Camera

Enables you to adjust settings on the connected rear view camera.

6(a) Reverse Camera: Press arrow keys to adjust value.

Cam1: Will use the Video Cam1 input

Cam2: Will use the Video Cam2 input

Cam1+Cam2: Will use the Video Cam1 on reverse gear, and will switch automatically after a delay to Cam2 when reverse gear is released.

6(b) Reverse Camera Mute: Press to change value (Mute, Reduce, Off)

6(c) R-Cam switch off delay: Press arrow keys to change the delay time until the cam view auto closes after leaving reverse gear.

6(d) Camera picture: Press arrow keys to adjust value (normal or hor. mirrored).

6(e) Camera 1 Grid Lines: Press to turn camera 1 grid lines off and on. At the camera source, you can adjust the position of the lines if the function is set ON.

6(f) Camera 2 Grid Lines: Press to turn camera 2 grid lines off and on. At the camera source, you can adjust the position of the lines if the function is set ON

## 7. Miscellaneous

Here you can find information on the software device version and load factory.

7(a) Software version: Press more key to show the device system software version.

7(b) Install Software: Press more key to start software installation from USB-1 port. If the files are not found, the buttons to proceed will not enable.

7(c) Factory default: Press more key and confirm to perform a factory reset.

7(d) SWC assignment: Press to open the SWC assignment screen for Analogue-Key mode (not for IR-Stalkinterface mode)

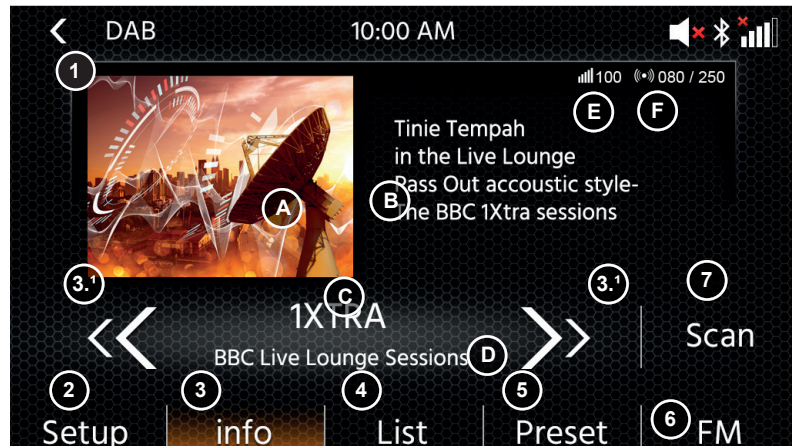
7(e) Open Source License: press to see the license text.

7 (f) Legal: press to see legal entries.

## DAB RADIO SOURCE

You can enter the DAB source among other ways via the front panel DAB sensor key or via the Home Screen Source Icon. You can also directly switch from the FM source to DAB source via the DAB key in lower right corner of the FM source.

With the DAB source you can enjoy the enriched digital radio services which are possible via the new DAB+ standard. In the lower section you can change the category which will update the main area of the source accordingly.



### Operation buttons

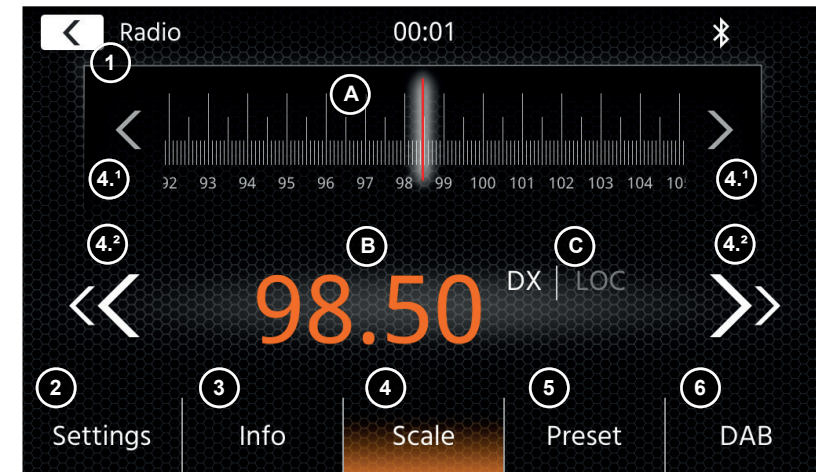
1. Return Press to return to the home screen.
2. Settings
  - 2(a) Reset: press to flush list and start new scan.
  - 2(b) Comfort Scan: press to switch Comfort scan ON/OFF
  - 2(c) DAB-DAB Service Following: Press to switch function ON/OFF.
  - 2(d) Antenna supply: Press switch to activate/deactivate 12V power supply for your DAB Antenna
  - 2(e) DAB Firmware: Shows current DAB firmware version.
3. Info This view allows you to see current played station logos, slideshow pictures and text which is aired from the station.
  - 3.1 Press the arrow keys to change the station of current selected ensemble. Press and hold the arrow keys to change to next possible ensemble – the first station of new ensemble will be auto played.
  - 3 (A) Slideshow placeholder or received MOT Slideshow pictures aired by the selected station.
  - 3 (B) DLS text; 3 (C) Service Label / Station name; 3 (D) Ensemble Label
  - 3 (E) Signal quality of the selected station.
  - 3 (F) Station list count / max stations
4. List The list view allows you to see all received ensembles and will be periodically refreshed. You can select an ensemble by tapping on it and it will show the contained stations which you also can directly tap to play.
5. Preset This view shows the preset buttons that work like a quick select or favorite button. To save the current station to a preset button, press and hold it until the button is updated with the station information.
6. FM Press the button to change directly to FM radio source.
7. SCAN Press to search for new stations and update the station list.

### Notes:

Please remark that some features depend on the aired station or the reception quality.

## FM RADIO SOURCE

You can enter the FM source among other ways via the front panel via the Home Screen Source Icon. You can also directly switch from the DAB source to FM source via the FM key in lower right corner of the DAB source. In the lower section you can change the category which will also update the main area of the source accordingly.



### Operation buttons

1. Return: Press to return to the home screen.
2. Settings: Opens additional settings for the FM source.
  - 2(a) Auto Save: Press Start to initiate auto search&store for the presets.
  - 2(b) Mode: Press the key arrows to change DX/LOC mode shown next to the frequency.
  - 2(c) AF: Press switch to ON/OFF AF-function (Alternative Frequencies).
  - 2(d) TA: Press switch to ON/OFF TA function (FM Traffic Announcements)
3. Info This view will show you the station name and the received radio text. Between the up and down seek buttons (arrow keys) the frequency is additionally displayed. Press the arrow keys to initiate up/down seek to the next receivable station.
4. Scale
  - (A) FM Frequency scale band with a marker of the current tuned frequency.
  - (B) Current set frequency.
  - (C) Current FM Mode. Can be changed in FM Settings.
  - 4.1 Press the arrow keys to single step 0.1 MHz up/down.
  - 4.2 Press the arrow keys to initiate up/down seek to the next receivable station.
5. Preset This view show the preset buttons that work like a quick select or favorite button. To save the current station to a preset button, press and hold it until the button is updated with the station information.
6. DAB Press button to directly switch to DAB radio source.

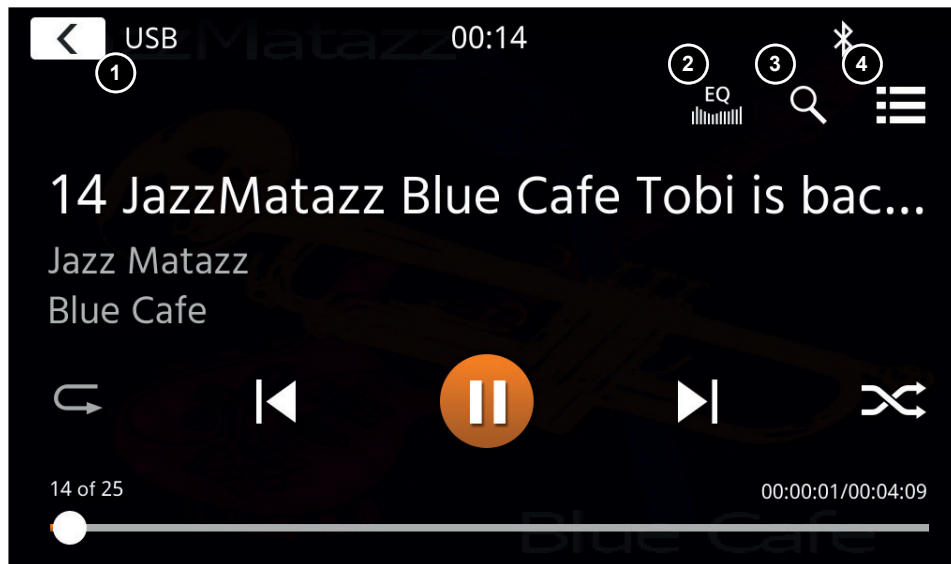
### Note:

This unit features an RDS tuner. RDS is a system that transmits data on top of the FM radio signal. Availability and content of the RDS data depend on the respective broadcast station and its signal strength. RDS does, for example, transmit alternative frequencies, which allow for frequency changes without user interaction. You need to have the AF function activated in order to use the RDS functionality and features.



## USB/IPOD/BT MUSIC (A/V) SOURCE

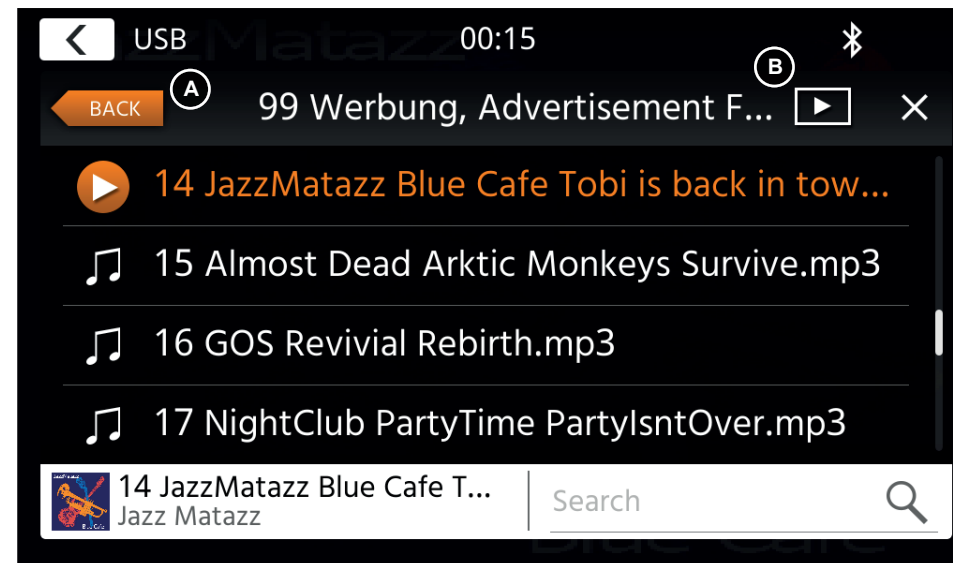
The sources USB and iPod can be accessed among other ways thru their home screen icon and BT music with a connected phone via the Bluetooth source to play audio (BT, USB, iPod) or video (USB only). Playing files is similar for all sources and can be controlled via the mediaplayer UI. To play videos in USB mode you need change the standard filter in list view (4) to the video file type (B).



In this main view the mediaplayer controls are displayed. As usual you can use the pause/resume/play or skip buttons to play the next track. You can also activate the special functions like repeat and shuffle.

### Operation buttons:

1. Return Press to return to the home screen.
2. EQ Press to open equalizer settings (see chapter device settings).
3. Search Press to open search (not available in Bluetooth music).
4. List Press to open the list view (not available in Bluetooth music).



At the list view mode (not available in Bluetooth music) you can browse your media files similar like a folder-file list. To open folders just simply tap on them to show their content which you also can directly tap to start playback. It will be shown with a play icon and also at the bottom line. To go back one level use the back (A) button or you can change to the video media type (only USB mode) by pressing (B) the filter icon.

### Additional notes on Video playback:

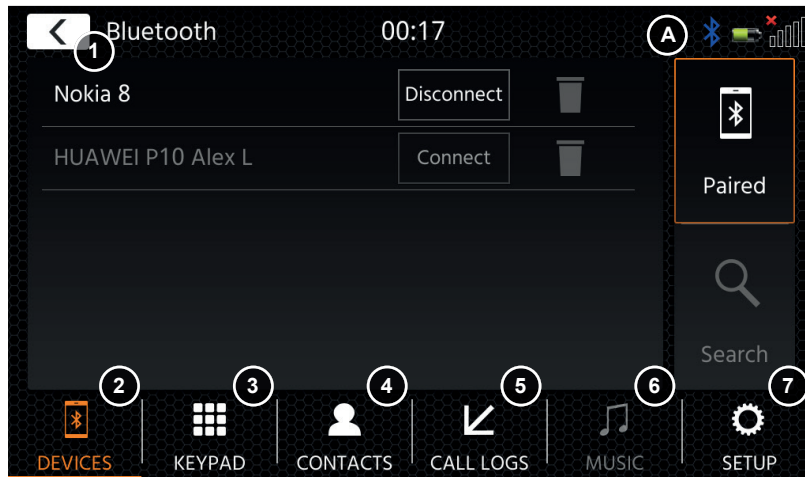
The video playback is only possible if the handbrake is engaged.

The playback will be in full screen mode – to leave the full screen mode press simply the touch screen area of your device.

## BLUETOOTH PAIR, CONNECT, CALL, MUSIC

On initial use the category (2) is active and you can pair your compatible phone via scan/search. Please ensure your phone is visible until it appears in the search result list. To pair tap the line with your phone from the list and confirm the pass key. Please also ensure that permission such as to contacts are granted/accepted. Active or auto connected phones are shown in status area (A) with an active Bluetooth icon, battery and signal strength icon (if supported).

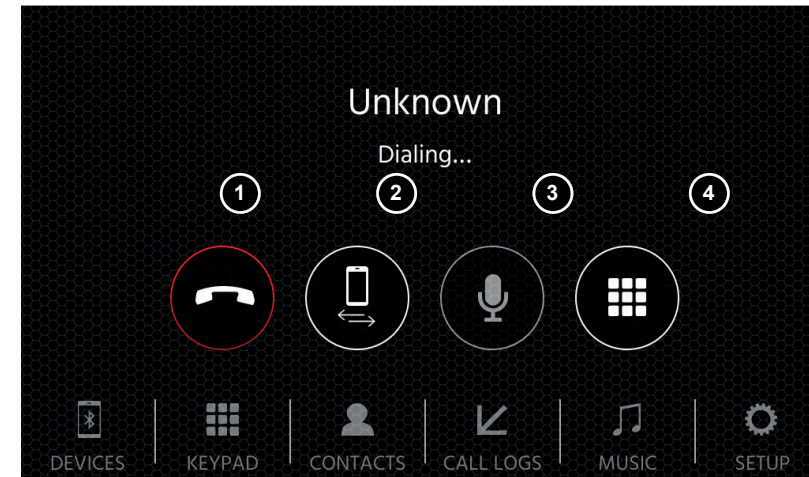
In the lower section you can choose a different category which will update the main view area.



### Operation buttons

1. Return Press to return to the home screen.
2. Devices Here you can manage your paired phones (manual connect/disconnect, delete) or add new phones via search.  
Tap the connect/disconnect button to disconnect manually and connect a different other phone.  
Tap the waste bin icon button to delete a paired phone  
Note: it is only possible to connect a single phone at the same time.
3. Keypad Press to open the dial keypad with the active phone.
4. contacts Press to open the contact list of the active phone.  
You can manually re-sync in case if not all contacts are shown or new contacts have been added to the phone.  
You can slide the list or use the search function to look up a contact.  
A contact can be operated like a folder and be tapped to open its containing numbers.  
Tap on the line number to initiate a call attempt.  
Use the orange back button on top left position of the list view to browse one level up.
5. Call log Here you have a separate list view for outgoing, received/incoming or missed calls.  
You can tap a line to initiate a call attempt.
6. Music Press to initiate the Bluetooth music playback via A2DP.  
Note: Some smartphones need to start the music app on the smartphone first.  
The usage of Bluetooth music player is described in chapter „USB/IPod/BT Music (AV) Source“
7. Setup Press to open the Bluetooth settings for extended options like auto connect, auto answer contact list settings and microphone adjustments.  
6(a) Auto Connect: Press switch to ON/OFF Auto Connect.  
6(b) Auto Answer: Press switch to ON/OFF Auto Answer.  
6(c) Microphone Gain: Press arrow keys to change values.  
6(d) Contact Order: Press arrow keys to change value.

On incoming/outgoing or active call, the device will automatically switch to a full screen mode and shows you the contact name or number (if available) or unknown in case of a suppressed callerID. Depending on the call status (initiate, ringing, dialling, active) you can hang-up, reject, accept/pick-up a call (1), on active call you can switch to private mode (2) or to car loudspeakers, mute the XZENT microphone (3) or open the keypad for call options (4).



With Apple CarPlay, you are able to access compatible apps and online services of your iPhone in your car and operate them intuitively with the display of your XZENT device or the voice assistant from Apple.

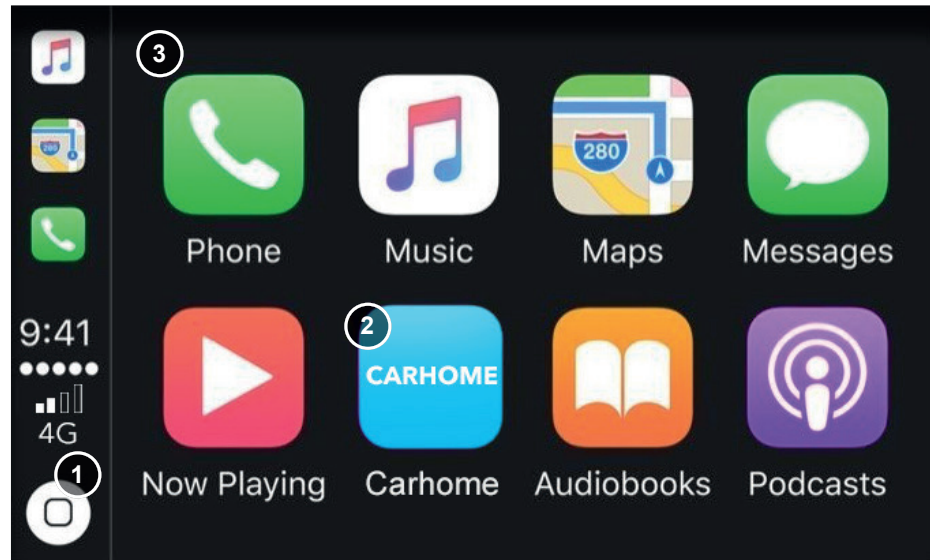
### PREPARATION:

- Connect the compatible iPhone with the USB-1 port of the XZENT device.
- In case Bluetooth is not paired automatically, connect manually.
- Unlock your iPhone.

### INITIAL OPERATION:

1. For the initial operation, the vehicle must not be in motion and the hand brake must be engaged.
2. Tap to the CarPlay icon in the main menu of the XZENT device to choose the CarPlay source.  
After the initial operation has been completed successfully, the CarPlay user interface appears on the screen of the XZENT device.
1. Tap to display the home screen of CarPlay.
2. Tap to open XZENT main menu.
3. Tap any of the APP icon to start the application.

**Note:** You can only have one active route guidance. If a route guidance is started with CarPlay, the native navigation source is terminated in order to avoid the spoken messages of 2 systems for route guidance. The navigation source is no longer started automatically and must be started manually the next time it is used.



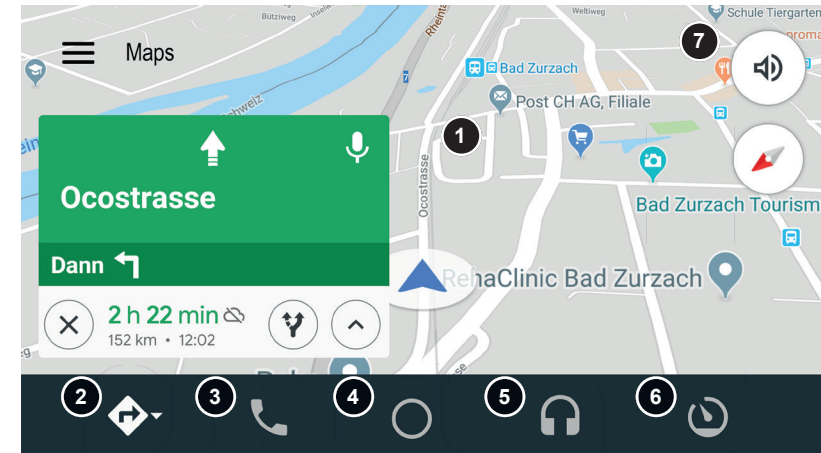
With Google Android Auto, you are able to access compatible apps and online services of your Android smartphone in your car and operate them intuitively with the display of your XZENT device or the voice assistant from Google.

### PREPARATION:

- Download the Android Auto app from the Google Play Store.
- Connect the Android smartphone with the FRONT USB connector of the XZENT device.
- Bluetooth will be automatically establish on FRONT USB first time connection.

### INITIAL OPERATION:

1. For the initial operation, the vehicle must not be in motion and the hand brake must be put on.
2. Tap to the Android Auto icon in the main menu of the XZENT device to choose the Android Auto source.
3. Follow the dialogue on the display of your smartphone to install Android Auto and to configure the start behaviour. It is possible to change the selected start behaviour in the setup operations anytime later.
4. After the initial operation has been completed successfully, the Android Auto user interface appears on the screen of the XZENT device.



1. Android Auto User Interface.
2. Navigation.
3. Telephony.
4. Open Android Auto user interface.
5. Media playback.
6. Open XZENT main menu.
7. Activate Android Auto voice control.

### Note:

- Android Auto may not be available on all devices and is not available in all countries and regions.
- To use Android Auto with your Android Smartphone, at least Android 5.0 (Lollipop) or a higher version of the Android operation system must be installed on your smartphone.
- For more detailed information about Android Auto, please visit <https://www.android.com/auto/> and <https://support.google.com/androidauto#topic=6348027>

X-127 features 2 individual camera inputs. CAM1 and CAM2 AV IN are found on the 24-PIN AV cable (connector B).

The device will activate the camera power via 12 VDC (PWR Cam1 12VDC or PWR Cam2 12VDC at the 24-PIN AV wire) to allow picture input of one camera picture at a time. Do not connect the camera power to a permanent power to avoid overlaying of CAM1 and CAM2 picture and continuous duty.

If the XZENT Setting is set to CAMERA>CAM1+CAM2, the camera source is in dual mode and you can press the CAM Switch button to change the picture from CAM 1 to CAM2. By default the XZENT is set to CAMERA>CAM1.

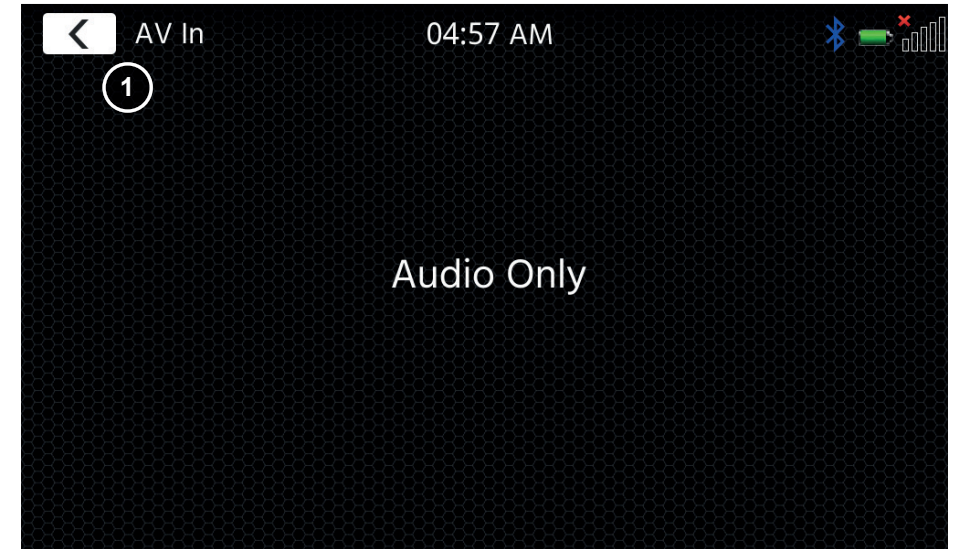
Each camera source has a different color of camera lines, the can be turned off and on in XZENT main settings.

To adjust the camera lines to your requirements, activate the corresponding CAM source by pressing the CAM Icon in main menu or enter reverse gear (CAM 1). When the camera picture is visible, press the gearwheel to enter the camera settings. Each camera source can save an individual camera line adjustment.

The A/V-IN and HDMI source can be entered among other ways via the home screen icon. The source will provide you the A/V-IN or HDMI signal input to your XZENT device. There is no specific touch operation here besides the back to home screen button.

#### Operation Buttons

1. Return      Press to return to the home screen.



# TERMS OF WARRANTY

## What products are covered by XZENT's limited Warranty?

The limited Warranty (the "Warranty") applies to XZENT products purchased from an authorized dealer by end customers in the European Economic Area or Switzerland ("Territorial Scope").

## What is the validity period of XZENT's Warranty?

Under this Warranty, XZENT warrants, for a period of 2 years, that the product is free from defects in material and/or workmanship at the time of the original purchase. This 2-year period commences on the date of the original purchase as per the original invoice or until receipt. If you have purchased the product as a consumer, and the defect is identified within the first six months after the original purchase (see above), we will assume that the defect already existed at the time of purchase.

## Who can claim under the Warranty?

XZENT grants the limited Warranty to natural persons only, who purchased the relevant product primarily for personal use.

## What is covered by the Warranty?

XZENT warrants that the product is free from defects in material and/or workmanship at the time of the original purchase. XZENT does not, however, provide a warranty covering every defect and damage that may occur. It only covers the hardware components of the device, and in no event the software used with the device, regardless if this was provided by XZENT or the third-party vendor. The Warranty therefore does not cover the following cases, in particular:

- normal wear and tear (such as to surfaces and protective coverings);
- superficial damage, such as scratches, dents, and damaged plastic, worn or mechanically defective connections;
- misuse, including any treatment resulting in physical or superficial damage, such as a cosmetic defect, to the product;
- damage caused by connecting or using the product for a purpose other than those specified, or a failure to observe the operating and/or installation instructions for the particular model;
- installation or use of the product contrary to the applicable technical standards, or the safety regulations in the country in which the product is installed or used;
- damage caused through an unauthorized attempted repair, or an attempted repair by someone other than a XZENT authorized service partner;
- damage caused by modifications to the product not expressly authorized by the manufacturer;
- damage caused by malicious code ("Software Viruses") or by using software not supplied with the product or which was incorrectly installed;
- use of third party vendor software programs for editing, modifying, adapting, or extending XZENT's authorized software components as are run on the product;
- use of third-party vendor firmware/operating system software
- damage caused by liquids or chemicals of whatever type, and/or excessive temperatures, moisture, or damp;
- accidents, drops or other such effects of extreme accelerating forces;
- damage caused by lightning strikes, electrostatic charge, incorrect operating voltage, water, fire, force majeure, inadequate ventilation for other reasons for which XZENT is not responsible;
- damage caused by using the device outside of the defined specifications;
- damage caused by using the product with other systems or devices, which are not designed to be used with this product;
- adjustments or modifications without XZENT's prior written approval, including product upgrades extending beyond the specifications or characteristics described in the operating manual;
- modifications of the product for the purpose of adapting it to national or local technical norms or safety standards of countries for which the product was not expressly designed or manufactured;
- using service or spare parts not produced or distributed by XZENT;
- using the product in connection with accessories not approved for use with this product;

XZENT, moreover, does not warrant (expressly, implicitly, statutorily, or otherwise) the quality, performance, reliability or suitability of the product for a particular purpose except as described, nor the software/firmware installed on the device ex works.

No warranty service will be provided, moreover, if the model number /serial number/UUID/product number on the product is changed, erased, made illegible or removed. The same applies if the receipt or invoice is incomplete and/or illegible when presented.

## Is XZENT liable for other defects or damage?

XZENT will repair or replace products, only if they are covered by the terms of this Warranty. XZENT is not liable for any material or intangible loss or damage such as the price paid for the product, loss of profits, revenue, data, or relating to the enjoyment of the product or components associated with it, arising directly or indirectly under this Warranty or otherwise in relation to products or services. This likewise applies to loss or damage relating to the impairment or operational failure of the product, or devices associated with it, caused by defects or the non-availability of the product during the time it is with XZENT or XZENT's service partner, as well as to periods of downtime and business interruptions. In addition, XZENT does not accept any liability for shipment-related risks - such as the loss or destruction of the product - in connection with the fulfilment of the Warranty.

This disclaimer applies to losses of damage irrespective of the legal basis, especially on the grounds of negligence, other wrongful conduct (torts), breach of contract, express or implied guarantees, and strict liability (even if XZENT or its service partner has been advised of the possibility of such damage occurring). If these disclaimers are prohibited or limited under the applicable law, XZENT will limit its Warranty and liability to the extent permissible under the applicable regulations. For example, some national laws prohibit the exclusion or limiting of damages payable in connection with negligence, gross negligence, willful wrongdoing, deceitful conduct, and other such acts. For the duration of this Warranty, all liability that cannot be excluded completely will be limited to the extent permissible under the applicable law. Liability under this Warranty is limited to the price paid for the product. If the applicable law only permits higher limits on any liability, this higher limitation will apply.

## How do I exercise my Warranty rights?

If you want to exercise your entitlements under this Warranty, please contact the authorized dealer where the product was purchased, and present it with the original copy of the till receipt or invoice. Do not return any products to XZENT directly, otherwise our Warranty obligations cannot be fulfilled. You will find the name of the relevant dealer or reseller on your proof of purchase.

Defective devices sent by the authorized dealer to the service center, must also be accompanied by any accessories with a logical connection to the observed fault. This means, for example, the navigation package on an SD or microSD card supplied or purchased with the device, if problems or functional errors were observed in connection with the navigation function.

## How will XZENT fulfil its Warranty?

XZENT or its service partner will choose to either repair or replace the product or its defective parts covered by the Warranty, and assume the costs of material and labor in doing so.

Repairs under the Warranty must be carried out by XZENT or its authorized service partner. Products that are repaired or replaced may contain new and/or refurbished components and devices. Components that are swapped out will become the property of XZENT.

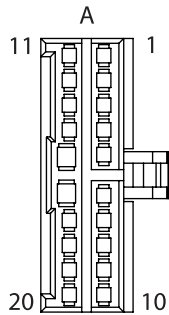
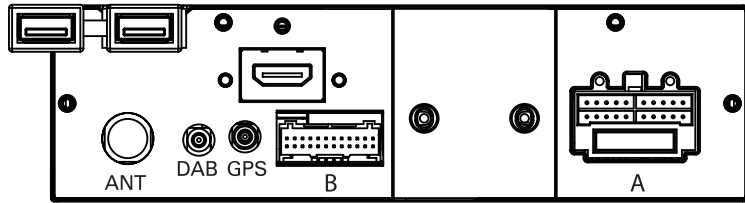
## Will I incur any costs in connection with the Warranty service?

XZENT assumes the costs of material and labor in connection with its Warranty service. The Warranty holder is responsible for the costs of shipment and bears the risks connected with the shipment (see above). If the product is found to be operating faultlessly, or there is no warranty entitlement because the warrant period has expired or for any other reason, XZENT or its authorized service partner will be entitled to charge a flat-rate investigation fee of €30.00.

## Do this Warranty affect my statutory or contractual rights?

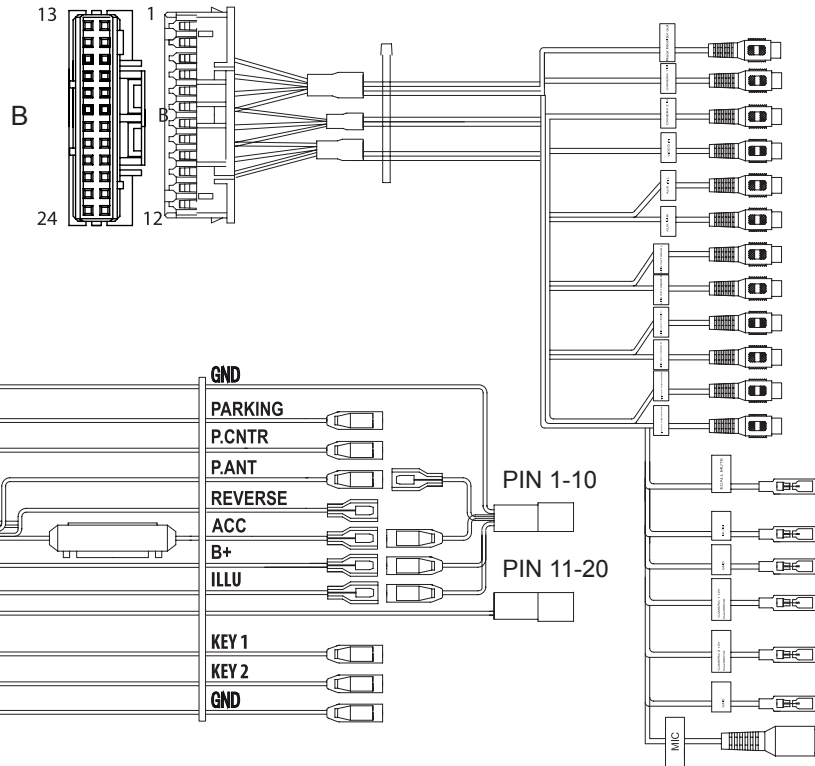
This Warranty is made voluntarily by XZENT, and it will, in any case, extend your statutory rights. As a consumer, you remain fully entitled to your statutory rights, such as the statutory guarantee. This Warranty also has no effect whatsoever on your contractual rights against the reseller. You may continue to exercise these rights in full.

CONNECTION DIAGRAM



PIN NO	Description	PIN NO	Description
1	FL+	11	FR+
2	FL-	12	FR-
3	RL+	13	RR+
4	RL-	14	RR-
5	NC	15	B+
6	NC	16	GND
7	ILLU	17	PARKING
8	ACC	18	P-CONT
9	REVERSE	19	P_ANT_CON
10	NC	20	NC

PIN NO	Description	PIN NO	Description
1	VIDEO OUT	13	NC
2	CAMERA 1/2, IN	14	AUX VIDEO
3	DGND	15	AUX IN (L)
4	AUX GND	16	AUX IN (R)
5	NC	17	RR LINE OUT
6	RL LINEOUT	18	FR LINE OUT
7	FL LINEOUT	19	SUB LINE OUT
8	AGND	20	CAMERA-2, 12V
9	IR IN	21	NC
10	NC	22	ECALL MUTE
11	AGND	23	CAMERA-1, 12V
12	MIC-	24	MIC+



TECNICAL SPECIFICATION

Electrical characteristics

Power supply: +12 V DC against vehicle ground

External protection against internal short-circuit: 15 A Mini-ANL fuse

Operating currents\*

ACC off idle status:	<5.0 mA
Audio / video playback (VOL 20):	~ 1.40 A
GPS mode with active route guidance with CarPlay or Google Android Auto	~1.55 A, (VOL 20, no charging mode)
GPS mode with active route guidance with CarPlay or Google Android Auto	~2.0 A (with charging)
GPS mode with active route guidance with CarPlay or Google Android Auto	~1.55 A, (VOL 40, no charging mode),
	~4.1 A (with charging)

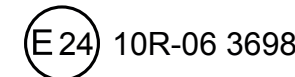
\* @ 13.8 V operating voltage with front and rear 4 ohm loudspeaker connected to device

Hereby, ACR Brändli + Vögeli AG declares that the type of radio equipment X-127 complies with the 2014/53/EU Directive. The full text of the EU Declaration of Conformity is available at the following Internet address: [www.xzent.com](http://www.xzent.com) (see link „Product Conformity Documents“ in the footer of the page).

Hiermit erklärt ACR Brändli + Vögeli AG, dass der Funkanlagentyp X-127 der Richtlinie 2014/53/EU entspricht. Der vollständige Text der EU-Konformitätserklärung ist unter der folgenden Internetadresse verfügbar: [www.xzent.com](http://www.xzent.com) (siehe Link „Dokumente zur Produktkonformität“ im Fussbereich).

ACR Brändli + Vögeli AG déclare par la présente que le type d'équipement radio X-127 est conforme à la directive 2014/53 / UE. Le texte complet de la déclaration de conformité UE est disponible à l'adresse Internet suivante: [www.xzent.com](http://www.xzent.com) (voir le lien „Documents de conformité du produit“ dans le pied de page à la page).

Con la presente ACR Brändli + Vögeli AG dichiara che il tipo di apparecchio radio X-127 è conforme alla Direttiva 2014/53 / UE. Il testo completo della Dichiarazione di conformità UE è disponibile al seguente indirizzo Internet: [www.xzent.com](http://www.xzent.com) (vedere il collegamento „Documenti di conformità del prodotto“ nella parte inferiore della pagina).



## ÜBER DIESES HANDBUCH

Dieses Handbuch enthält wichtige Informationen und Warnungen zum Betrieb dieses XZENT-Gerätes. Bitte bewahren Sie es an einem Ort auf, zu dem Sie später Zugriff haben.

SICHERHEITSINFORMATIONEN	29
GERÄTESUPPORT, SOFTWARE-UPDATES UND WARTUNG	30
GERÄTEFRONT	31
EINSTELLUNG DER DISPLAY POSITION	23-33
HAUPTMENÜ	34
LENKRADTASTEN (OE-Modus, IR-Stalk-Schnittstelle)	35-37
GERÄTEEINSTELLUNGEN	38–39
DAB-RADIO-QUELLE	40
UKW-RADIO-QUELLE	41
USB- / iPod- / BT- / MUSIK(AV)-QUELLE	42–43
BLUETOOTH-KOPPELN, VERBINDUNG, ANRUF, MUSIK	44–45
APPLE CARPLAY-QUELLE	46
GOOGLE ANDROID AUTO-QUELLE	47
CAMERA-QUELLE	48
AV-IN, HDMI-QUELLE	49
GARANTIEBEDINGUNGEN	50-51
ZUSÄTZLICHE INFORMATIONEN, TECHNISCHE DATEN	52

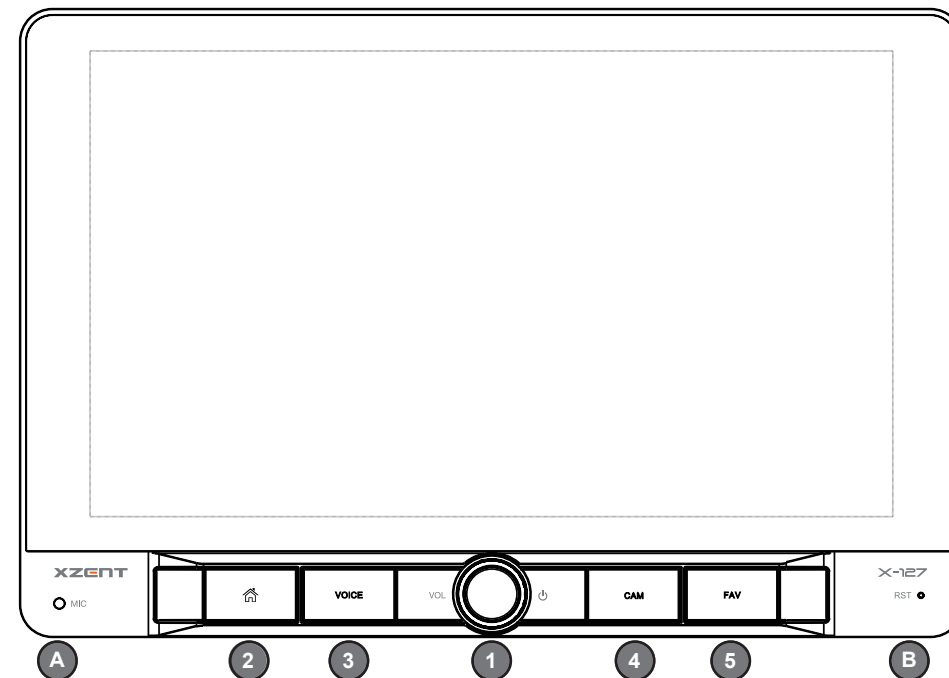
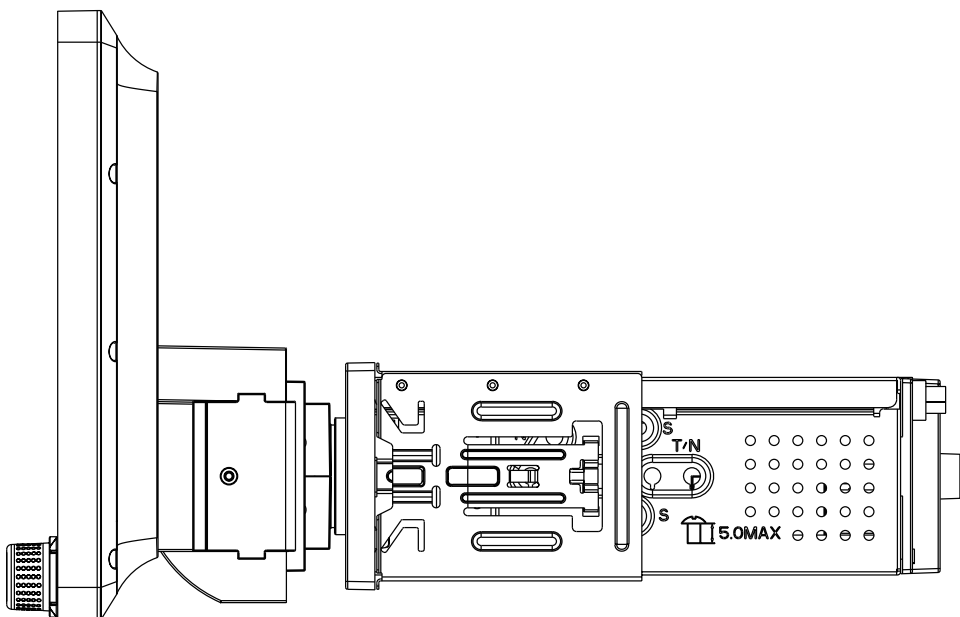
## Allgemein

- Die in diesem Handbuch enthaltenen Beschreibungen und sonstigen Inhalte können vom tatsächlichen Gerät abweichen.
  - Die in diesem Handbuch und einigen HMI-Screenshots gezeigten Bilder können vom realen Gerät abweichen.
  - Die technischen Daten und das technische Design dieses Gerätemodells können ohne Vorankündigung geändert werden.
- Lesen Sie die Anleitung vollständig durch. Beachten Sie alle Warnhinweise. Befolgen Sie die Anweisungen.
  - Bewahren Sie dieses Handbuch auf. Jeder, der das Gerät benutzen will, sollte Zugang zu diesem Handbuch haben.
  - Dieses Gerät ist für den Einsatz in Fahrzeugen mit 12-V-Gleichstrombatterie und negativer Masse ausgelegt.
  - Das Gerät darf nicht anders betrieben werden, als in dieser Anleitung beschrieben. Bei Nichtbeachtung der Anweisungen kann die Garantie erlöschen.
  - Nehmen Sie das Gerät nicht auseinander und verändern Sie es in keiner Weise, da sonst Ihre Garantie erlischt. Versuchen Sie nicht, das Gerät selbst zu reparieren oder zu warten, sondern wenden Sie sich stattdessen an einen autorisierten XZENT-Händler.
  - Verwenden Sie nur Originalzubehör, das für das Gerät konzipiert und hergestellt wurde, da sonst Schäden auftreten können. Montieren Sie das Gerät gemäß der Montageanleitung mit dem mitgelieferten Montagezubehör. Die Beschleunigungskräfte bei Unfällen können enorm sein. Fehlerhaft montierte Geräte stellen bei einem Unfall ein ernsthaftes Risiko für Fahrer und Beifahrer dar.
  - Schützen Sie das Gerät vor Wasser und anderen Flüssigkeiten, die in das Gehäuse gelangen könnten. Ein Kurzschluss oder sogar ein Brand könnte die Folge sein.
  - Um einen Kurzschluss zu vermeiden, stecken Sie niemals metallische Gegenstände (z. B. Münzen oder Metallwerkzeuge) in das Gerät.
  - Bevor Sie eine defekte Sicherung austauschen, versuchen Sie, die Ursache für den Kurzschluss zu finden. Achten Sie auf die Kabel des Netzteils! Wenn der Kurzschluss nicht auf einen Fehler in der Stromversorgung oder Verkabelung zurückzuführen ist, können Sie die defekte Sicherung durch eine neue (mit demselben Wert) ersetzen. Wenn der Kurzschluss weiterhin besteht, wenden Sie sich an einen autorisierten XZENT-Händler.
  - Wenn Sie ein anderes Gerät anschließen, lesen Sie die Bedienungsanleitung bezüglich der Kompatibilität und der Hinweise zu den elektrischen Anschlüssen. Versuchen Sie nicht, inkompatible Produkte anzuschließen.
  - Achten Sie darauf, dass Sie die Autobatterie während der Benutzung des Geräts nicht entleeren, wenn der Fahrzeugmotor abgestellt ist. Da das Gerät viel Energie verbraucht und die Batterie nur bei laufendem Motor geladen wird, kann es vorkommen, dass sich die Batterie so weit entlädt, dass es nicht mehr möglich ist, den Motor zu starten.
  - Nach geltenden Recht in verschiedenen europäischen Ländern ist das Fahren mit Monitoren, die Filme im Sichtbereich des Fahrers zeigen, nicht erlaubt, da der Fahrer vom Verkehr abgelenkt werden kann. Bitte beachten Sie die Verkehrsvorschriften Ihres Landes oder Sie können bei Unfällen, sonst müssen Sie bei Unfällen mit Strafen oder sogar Verlust Ihres Versicherungsschutzes rechnen. Achten Sie auf die Wiedergabelautstärke in Ihrem Fahrzeug, da Sie äußere Warntöne wie Polizeisirenen usw. wahrnehmen können müssen.
  - Setzen Sie das Gerät keinen harten Stößen aus. Eine mechanische oder elektrische Fehlfunktion des Gerätes kann die Folge sein.
  - Sollten während der Montage Probleme oder Fragen auftreten, wenden Sie sich bitte an Ihren XZENT-Händler bzw. -Importeur.

Software-Updates und -Verbesserungen werden über USB-Updates bereitgestellt, die von unserer Website [www.xzent.com](http://www.xzent.com) heruntergeladen werden können. Dort finden Sie auch Kundenbetreuung, FAQs und andere nützliche Informationen.

**ACHTUNG:** Dieses Gerät verfügt über spezielle USB-Ports mit speziellen Funktionen ((USB-1, grau) und (USB-2, schwarz). Die Verlängerungskabel sind durch ein Textetikett unterscheidbar, um eine korrekte Zuordnung zu gewährleisten.

Über XZENT bereitgestellte Software-Updates MÜSSEN auf „USB-1“ (USE FOR SW UPDATE) installiert werden. Wenn die Installation durch Dritte ohne ordnungsgemäße Markierung/Identifikation des Verlängerungskabels durchgeführt wurde, versuchen Sie es am anderen Port, falls das Update fehlschlägt.



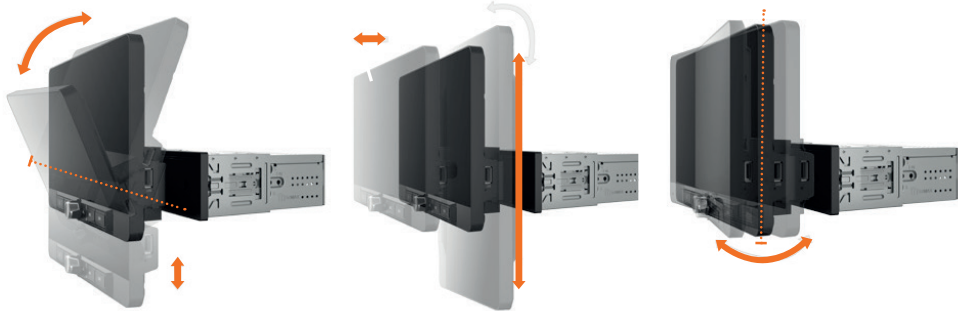
**Bedientasten:**

- 1. VOL/POWER: Halten Sie diese Taste gedrückt, um den Standby-Modus zu aktivieren (Bildschirm AUS, Audio AUS).  
Wenn das Gerät eingeschaltet ist, drücken Sie, um es stumm zu schalten.  
Wenn das Gerät ausgeschaltet ist, drücken Sie zum Einschalten.  
Drehen Sie im Uhrzeigersinn, um die Lautstärke zu erhöhen.  
Drehen Sie gegen den Uhrzeigersinn, um die Lautstärke zu verringern.
- 2. HOME Drücken Sie, um zum Startbildschirm zurückzukehren.
- 3. VOICE Drücken Sie auf dem Startbildschirm, um zur letzten Quelle zu gelangen (falls vorhanden).  
Press to start voice recognition (in use with CarPlay or Google Android Auto)
- 4. CAM: Drücken Sie, um die Standardkamera anzuzeigen, und drücken Sie erneut, um die Kameraansicht zu schließen.
- 5. VOICE: Drücken, um die Spracherkennung zu starten (in Verbindung mit CarPlay)
- 6. DAB: Drücken Sie, um die DAB-Quelle zu öffnen. In der DAB-Quelle drücken Sie erneut, um auf UKW umzuschalten.
- 7. FAV: Drücken Sie, um die zugewiesene FAV-Kurzdrückfunktion aus den Geräteeinstellungen auszuführen (siehe Kapitel Geräteeinstellungen).  
Halten Sie gedrückt, um die zugewiesene FAV-Longdrückfunktion aus den Geräteeinstellungen auszuführen (siehe Kapitel Geräteeinstellungen).

- A. MIC internes Mikrofon für Freisprechfunktionen
- B. RESET Drücken Sie, um einen Power-Reset durchzuführen.



## EINSTELLUNG DER DISPLAY POSITION



### EINSTELLUNG DER DISPLAY POSITION (VERTIKALE HÖHE, HORIZONTALER BLICKWINKEL UND NEIGUNG).

Das Display des X-127 lässt sich vertikal in der Höhe sowie im Blickwinkel und der Neigung einstellen.

#### Hinweis:

- Einstellungen am Display sollten nicht während der Fahrt vorgenommen werden.
- Beachten Sie die Sicherheitsrelevanten Hinweise des Fahrzeuges. Achten Sie auch auf Zugänglichkeit von Tasten wie Warnblinker oder Luftauslässen.
- Das Display sollte immer mit beiden Händen „parallel“ (links und rechts mittig) angefasst werden um es zu verstellen.
- Das X-127 sollte fest montiert sein.

#### Blickwinkelanpassung und Neigung:

Fassen Sie das Display am linken und rechten Rand mittig an und drücken mit der einen Hand und ziehen mit der anderen Hand um den Blickwinkel einzustellen. Für den Neigungswinkel führen Sie mit beiden Händen eine Kippbewegung von sich weg oder zu sich hin aus.

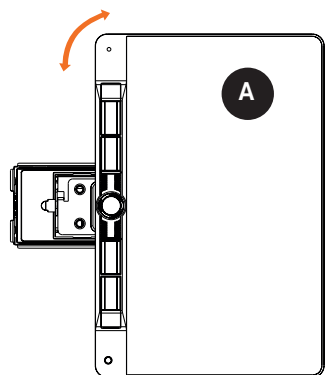
#### Höhenverstellung

Fassen Sie das Display am linken und rechten Rand mittig an und schieben Sie das Display nach oben oder unten.

Die Tiefeneinstellung benötigt eine Teildemontage und Anpassung der Standardbefestigung. Beachten Sie hierzu den gesonderten Abschnitt.

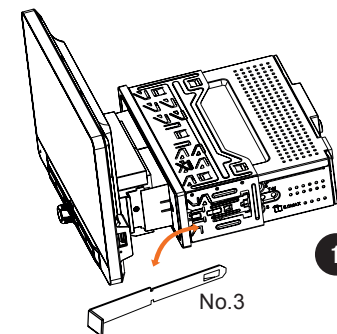
### ANPASSEN DER TIEFENEINSTELLUNG DES DISPLAYS

Die Tiefeneinstellung des Displays kann von der Standardeinstellung 0" (0mm) auf 1/2" (12,5mm) oder 1" (25mm) geändert werden.



**A**  
Vorausgesetzt: Der X-127 ist vom 1-DIN Armaturenbrett gelöst und es ist kein Montagekäfig montiert. Um das Gerät vom 1DIN-Armaturenbrett zu entriegeln, drehen Sie die Anzeigegruppe in eine 90°-Position, indem Sie sie mit beiden Händen halten und um 90° im oder gegen den Uhrzeigersinn drehen. Lösen Sie die Verkleidungshalterung vom Hauptgehäuse und stecken Sie die Entriegelungsschlüssel Nr. 3 in den entsprechenden Spalt auf der linken und rechten Seite einführen (in der Mitte, zwischen dem Hauptgehäuse und der 1Din-Halterung - siehe Abbildung). Die Entriegelungsschlüssel müssen so weit eingesteckt werden, bis die Klemme der Montagehalterung gelöst ist. Ziehen Sie den X-127 heraus, wenn sich die Klemmen der Halterung gelöst haben.

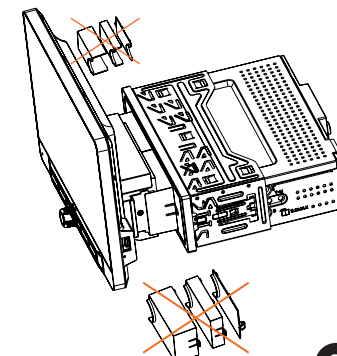
## CUSTOMIZING AND DISPLAY DEPTH ADJUSTMENT



1

#### Schritt 1:

Entfernen Sie die Abdeckung Nr. 14 des Verstellmechanismus

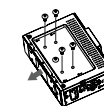
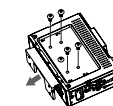
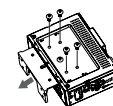
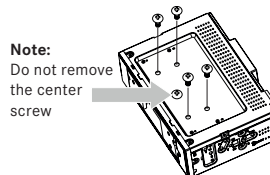


2

#### Schritt 2:

Entfernen Sie die 4 äußeren oberen Schrauben und lassen Sie die mittlere Schraube angezogen. Ziehen Sie die Display-Montagehalterung durch Ziehen an der Displaygruppe vorsichtig aus dem Gehäuse in die gewünschte 1/2"- oder 1"-Position. Ziehen Sie die 4 äußeren oberen Schrauben an, um die Halterung zu fixieren (siehe Abbildung).

Note:  
Do not remove the center screw

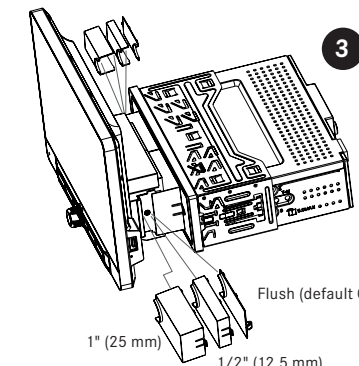


1" (25 mm)

1/2" (12.5 mm)

Flush (default 0 mm)

Auf den Demobilern ist die Displaygruppe nicht sichtbar, damit die oberen Schrauben besser zu sehen sind.



3

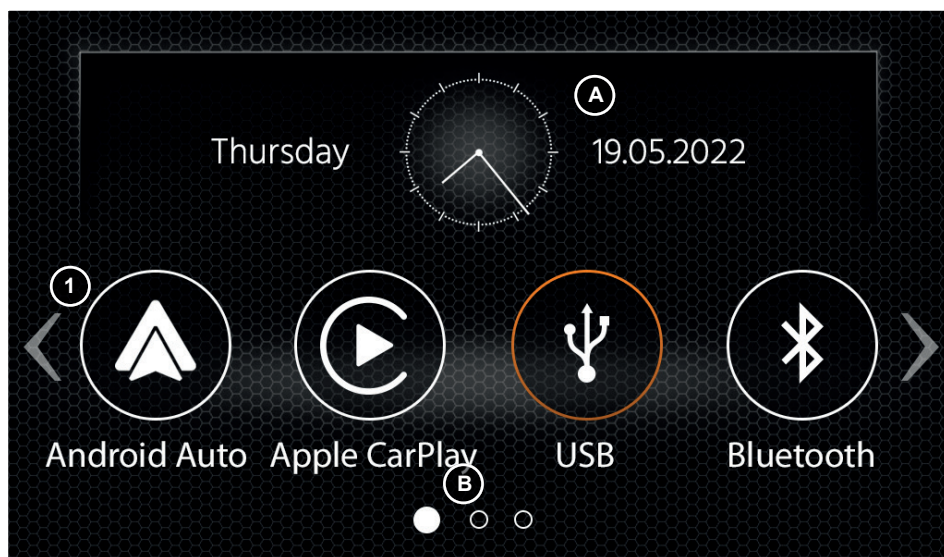
#### Schritt 3:

Installieren Sie das X-127 auf dem 1-DIN Armaturenbrett (siehe separates Kapitel). Der Installationsprozess ist derselbe wie bei der Standardinstallation, aber am Ende werden andere Abdeckungen für den Einstellmechanismus benötigt.

1" (25 mm)

1/2" (12.5 mm)

Flush (default 0 mm)



## Tasten und Display für die Bedienung des HAUPTMENÜS

- A Uhrzeit und Datum
- B Seitenanzeige

1. Quellen-Symbol Drücken Sie, um die ausgewählte Quelle zu öffnen.

Um durch die verschiedenen Quellen-Symbole zu blättern, streichen Sie nach links oder rechts. Alternativ können Sie auch die Pfeiltasten drücken, um durch die verschiedenen Seiten zu blättern. Um zu diesem Bildschirm zurückzukehren, können Sie die Front-Sensortaste HOME oder die Pfeiltaste Zurück in der linken oberen Ecke jeder Quelle drücken.

# LENKRADTASTEN (OE-MODUS, IR-STALK-SCHNITTSTELLE)

Das XZENT-Gerät ist für den Betrieb mit einem IR-Stalk-Interface vorkonfiguriert, das NICHT im Set enthalten ist.

Alternativ kann eine vorhandene analoge Lenkradsteuerung an das XZENT Analog Key Interface (Key1 / Key2 / GND) angeschlossen werden. X-127 hat 2 verschiedene Modi, MODE-2 (Standard für hohe Ohm-Werte) oder MODE-1 (für niedrige Ohm-Werte), um verschiedene Ohm-Bereiche zu unterstützen. Die Ohm Bereiche können nicht gemischt werden um Lenkradtasten aus beiden Bereichen zu unterstützen.

## MODE 2 (HOHE OHM-WERTE):



### Bedientasten:

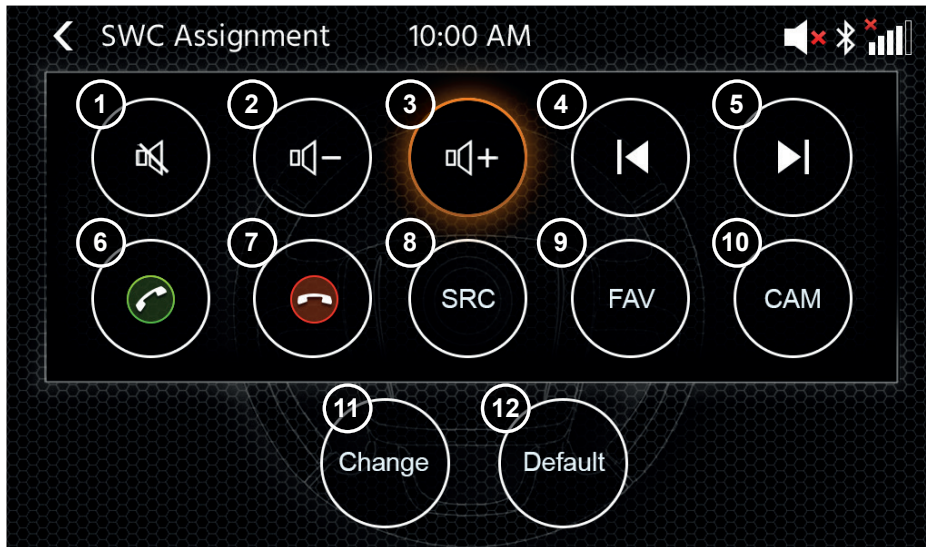
1. Vorwärts überspringen: diese Schaltfläche folgt der Funktion der grafischen Benutzeroberfläche (GUI) der aktiven Audioquelle.
2. CAM/voice: Drücken, um die CAM-Quelle zu aktivieren. Drücken Sie erneut, um die CAM-Quelle zu schließen.
3. Zurück überspringen: Diese Schaltfläche folgt der Funktion der grafischen Benutzeroberfläche (GUI) der aktiven Audioquelle.
4. Vol+: Drücken, um die aktive Lautstärke zu erhöhen.
5. Stummschaltung/Annahme/Auflegen: Wenn es keinen aktiven Anruf gibt, drücken Sie auf MUTE um stumm zu schalten oder die Stummschaltung aller Audioquellen aufzuheben. Drücken Sie während eines eingehenden Anrufs (Klingeln), um den Anruf anzunehmen. Drücken Sie bei einem aktiven Anruf auf , um den Anruf zu beenden.
6. Vol-: drücken, um die aktive Lautstärke zu verringern.

A: Sie können die Tasten Ihres SWC durch Platzieren von Standard- oder alternativen Tasten auf Ihrem SWC nach Ihren Wünschen anpassen. Der Vorgang wird am Ende dieses Kapitels erläutert.

### Alternative Tasten:

- A1. Alternative Funktion SRC/voice: Drücken Sie, um eine andere Quelle über das Hervorheben im Hauptmenü auszuwählen. Drücken und halten um CarPlay / Google Android Auto Sprachassistent aufzurufen.
- A2. Alternative Funktion NAV/voice: Drücken und halten Sie diese Taste, um die zugeordnete NAV-Funktion aufzurufen (nicht für X-127 verfügbar). Drücken und halten Sie die Taste, um die CarPlay / Google Android Auto-Sprachsteuerung zu aktivieren.

B: Mit dieser Taste wird jede benutzerdefinierte Konfiguration des SWC auf die Werkseinstellungen zurückgesetzt.



#### Mögliche Tastenfunktionen und Bedientasten

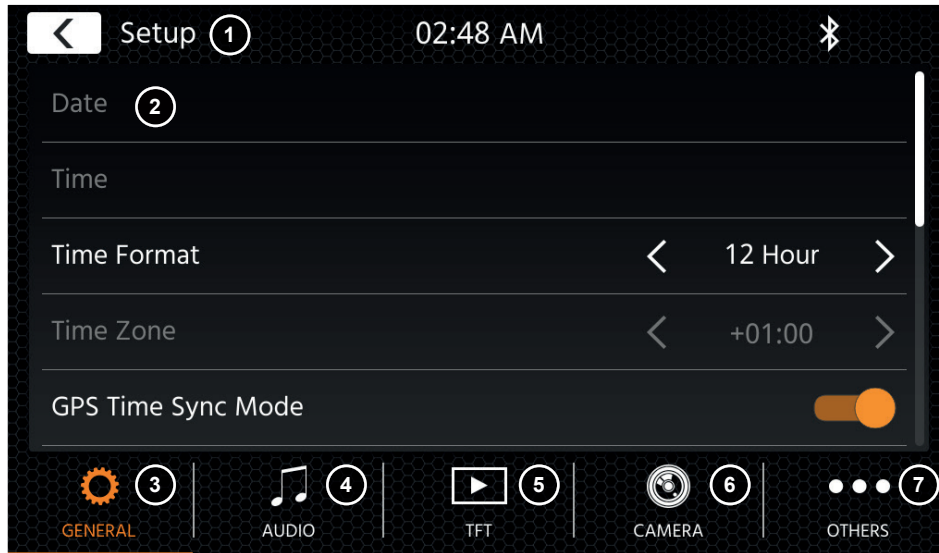
- |                    |  |
|--------------------|--|
| 1. Stumm/mute      | kurz drücken um das XZENT Gerät stumm zu schalten. Erneut drücken um Stumm-Schaltung aufzuheben.                       |
| 2. Vol-            | kurz drücken um aktiven Lautstärkekanal (Medienquelle, usw.) zu reduzieren.  |
| 3. Vol+            | kurz drücken um aktiven Lautstärkekanal (Medienquelle, usw.) zu erhöhen.   |
| 4. Sprung zurück   | kurzdrücken um gleiche Quellfunktion (DAB, USB, FM, usw.) wie die Touchbedienung der Quelle auszuführen.               |
| 5. Sprung vorwärts | kurzdrücken um gleiche Quellfunktion (DAB, USB, FM, usw.) wie die Touchbedienung der Quelle auszuführen.               |
| 6. Abheben         | kurz drücken um eingehenden Anruf anzunehmen.  |
| 7. Auflegen        | kurz drücken um aktives Gespräch zu beenden.   |
| 8. SRC             | Drücken Sie, um eine andere Quelle über das Hervorheben im Hauptmenü auszuwählen.                                      |
| 9. FAV             | kurz drücken um die zugewiesene FAV-Funktion aus den Geräteeinstellungen auszuführen (siehe Kapitel Geräteeinstellung) |
| 10. CAM            | Drücken Sie, um die Standardkamera anzuzeigen, und drücken Sie erneut, um die Kameraansicht zu schließen.              |
| 11. Ändern         | kurz drücken um Lenkrad-Tastenbelegung zu löschen und neu zuzuweisen (siehe Kapitel LFB(neu)Zuweisung).                |
| 12. Standard       | kurz drücken um die Standardeinstellung für Fiat Ducato X290 wiederherzustellen.                                       |

#### SWC-(Neu-)Zuweisungsprozess:

Der Prozess ist bei beiden SWC-Modi ähnlich und unterscheidet sich nur durch andere Standard- und Alternativtasten. Die Funktion der Standard- und Alternativtasten wird am Anfang dieses Kapitels für jeden Modus erklärt. Bitte beachten Sie, dass dieser Modus NICHT für den IR-Stalk-Interface-Modus geeignet ist. Drücken Sie auf die „Ändern“, um die Funktionen nach Ihren Wünschen neu zuzuordnen. Das System löscht alle Tasten des Lenkrads und markiert die linke obere SWC-Taste, die zuerst zugewiesen werden soll. Sie müssen alle Sie müssen alle gelöschten Tasten der Reihe nach von links oben nach unten und dann die rechte Seite von oben nach unten zuweisen. Die aktuelle Taste, die mit einer Funktion belegt werden soll, wird für Sie hervorgehoben. Beispiel: Um eine Funktion zuzuweisen, wählen Sie ein Funktionssymbol durch Antippen aus der Mitte (z.B. SRC / Stimme). Nachdem die gewünschte Funktion (in diesem Beispiel SRC / Stimme) markiert ist, drücken Sie die entsprechende SWC-Taste (in diesem Beispiel oben links). Das System wird nun die SRC / Voice-Taste in der Mitte ausgrauen und die SRC / Voice-Funktion auf die linke obere SWC-Taste legen. Später können Sie die SRC-/Sprachfunktion durch Drücken der linken oberen SWC-Taste auslösen (anstelle der standardmäßigen MUTE-Taste). Nachdem die erste Taste zugewiesen wurde, beleuchtet das System die nächste Taste, die mit einer noch verfügbaren (nicht ausgegrauten) Funktion aus der Mitte zugewiesen wird. Nachdem alle Tasten auf der SWC definiert sind, können Sie die SWC-Zuweisung schließen und die neue Konfiguration von nun an verwenden. Um die Standardwerte wiederherzustellen, drücken Sie die Schaltfläche „Standard“. Die Funktionen werden dann auf die Standardwerte zurückgesetzt.

#### Anmerkung:

Die beiden Modi für nieder- oder hochohmige SWC können nur in einem bestimmten Bereich funktionieren. Wenn ein Fahrzeug eine Kombination von Tasten aus beiden Modi hat, können nicht alle SWC-Tasten unterstützt werden



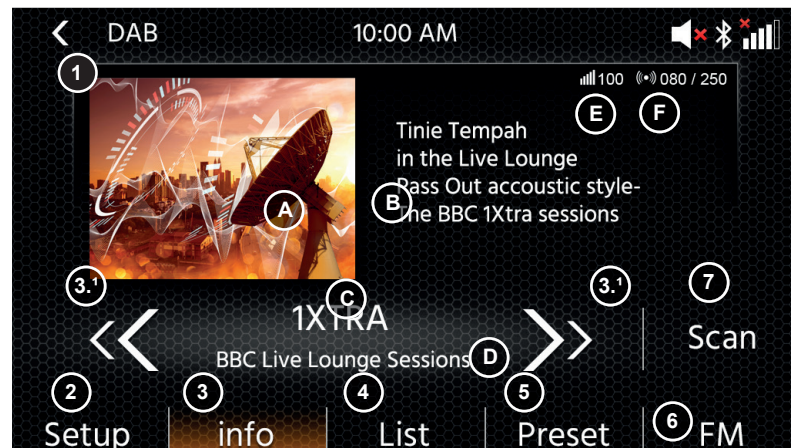
## Bedientasten:

1. Zurück Drücken Sie, um zum Startbildschirm zurückzukehren.
2. Listenbereich Der angezeigte Listenbereich ist abhängig von der aktuell ausgewählten Kategorie. Um andere Einstellungen zu sehen, können Sie die Liste nach oben und unten scrollen/streichen oder eine andere Kategorie im unteren Bereich auswählen.
3. Allgemein Enthält allgemeine Einstellungen wie Sprache, Datum und Uhrzeit, FAV-Tastenbelegung.
  - 3(a) Systemsprache: Drücken Sie die Pfeiltasten, um die Sprache auszuwählen.
  - 3(b) Uhrzeit-Zeitsynchronisationsmodus (DAB+): Drücken Sie den Schalter auf EIN/AUS.
  - 3(c) Kurzes Drücken von FAV: Drücken Sie die Pfeiltasten, um eine andere Funktion zuzuweisen.
  - 3(d) Langes Drücken von FAV: Drücken Sie die Pfeiltasten, um eine andere Funktion zuzuweisen.
  - 3(e) Signalton: Drücken Sie den Schalter auf EIN/AUS (Aktivieren/Deaktivieren der Tasten-Pieptöne).
  - 3(f) Mikrofon: Drücken Sie die Pfeiltaste, um das ausgewählte Mikrofon zu wechseln.
  - 3(g) Hintergrundbild: Drücken Sie, um einen anderen Hintergrund auszuwählen.
  - 3(h) Tasten Beleuchtung: drücken um Farbe der Tastenbeleuchtung zu ändern.
  - 3(i) Datum: Drücken Sie, um ein Datum manuell einzustellen (nur möglich, wenn der Synchronisationsmodus auf AUS gesetzt ist).
  - 3(j) Uhrzeit: Drücken Sie, um die Uhrzeit manuell einzustellen (nur möglich, wenn der Synchronisationsmodus auf AUS gesetzt ist).
  - 3(k) Zeitzone: Drücken Sie diese Pfeiltasten, um die Zeitzone manuell einzustellen.
  - 3(l) Zeitformat: Drücken Sie die Pfeiltasten, um das 12/24h-Format zu ändern.
  - 3(m) Apple-Konnektivität: drücken, um den Modus zu wechseln
4. Audio Enthält die Einstellung für Audio- und Sound.
  - 4(a) Balance: Drücken Sie die Pfeiltasten, um die Mitte nach links oder rechts zu verschieben.
  - 4(b) Fader: Drücken Sie die Pfeiltasten, um die Mitte nach vorne oder hinten zu verschieben.
  - 4(c) Equalizer: Drücken Sie, um den EQ zu öffnen. Sie können verschiedene EQ-Voreinstellungen auswählen oder die Frequenzbänder manuell nach Ihren Wünschen ändern. Balance und Fader können auch optisch angepasst werden oder LPF, Subwoofer-Pegel und Loudness können eingestellt werden.
  - 4(d) Loudness: Drücken Sie diese Taste, um die Lautstärke ein-/auszuschalten.
  - 4(e) Ein-/Ausschalten des Subwoofers: Drücken Sie diese Taste, um den Subwoofer ein- und auszuschalten.

- 4(f) Subwoofer-Verstärkung: Drücken Sie die Pfeiltaste, um die Subwoofer-Verstärkung zu ändern, wenn Subwoofer an ist.
  - 4(g) Startlautstärke: Drücken Sie die Taste „\* \* \*“. Hier können Sie alle verfügbaren Quellen in Bezug auf die Startlautstärke individuell anpassen. Sie können wählen, ob Sie die zuletzt verwendete Lautstärke verwenden oder beim Start eine fest eingestellte Lautstärke haben möchten.
5. TFT Hier können Sie Einstellungen in Bezug auf den Bildschirm vornehmen, z. B. Helligkeitsmodus und -werte.
    - 5(a) TFT-Helligkeit am Tag: Drücken Sie die Pfeiltasten, um den Wert für den Tag-Modus einzustellen.
    - 5(b) TFT-Helligkeit in der Nacht: Drücken Sie die Pfeiltasten, um den Wert für den Nacht-Modus einzustellen.
    - 5(c) Dimm-Modus: Drücken Sie die Pfeiltasten, um den Wert einzustellen.
      - Auto: Die Helligkeit wird beim Einschalten der Frontscheinwerfer des Fahrzeugs (Nacht) automatisch angepasst.
      - Tag: Die Helligkeit ist dauerhaft auf dem Tageswert.
      - Nacht: Die Helligkeit ist dauerhaft auf dem Nachtwert.
    - 5(d) Touchscreen Auto-Standby: Bei eingestellter Leerlaufzeit wird der Bildschirm ausgeschaltet, wenn er nicht bedient wird (der Ton wird im Hintergrund weiterhin wiedergegeben).
  6. Kamera Ermöglicht es Ihnen, die Einstellungen der angeschlossenen Rückfahrkamera anzupassen.
    - 6(a) Rückfahrkamera: Drücken Sie die Pfeiltasten, um den Wert einzustellen.
      - Cam1: Verwendet den Eingang der Cam1
      - Cam2: Verwendet den Eingang der Cam2
      - Cam1+Cam2: Verwendet die Cam1 im Rückwärtsgang und schaltet nach einer Verzögerung automatisch auf Cam2 um, nachdem der Rückwärtsgang verlassen wurde.
    - 6(b) Stummschaltung der Rückfahrkamera: Drücken, um den Wert zu wechseln (Stummschalten, Reduzieren, Aus)
    - 6(c) R-Cam Ausschaltverzögerung: Drücken Sie die Pfeiltasten, um die Verzögerungszeit zu ändern, bis sich die Kameraansicht nach Verlassen des Rückwärtsgangs automatisch schließt.
    - 6(d) Kamerabild: Drücken Sie die Pfeiltasten, um den Wert einzustellen (normal oder horizontal gespiegelt).
    - 6(e) Kamera 1 Rasterlinien: Drücken Sie diese Taste, um die Rasterlinien der Kamera 1 aus- und einzuschalten. Bei der Kameraquelle können Sie die Position der Linien anpassen, wenn die Funktion an ist.
    - 6(f) Kamera 2 Rasterlinien: Drücken Sie diese Taste, um die Rasterlinien der Kamera 2 aus- und einzuschalten. Bei der Kameraquelle können Sie die Position der Linien anpassen, wenn die Funktion an ist
  7. Sonstiges Hier finden Sie Informationen über die Software-Version des Geräts und die Werkseinstellung.
    - 7(a) Software-Version: Drücken Sie die Taste „\* \* \*“, um die Softwareversion des Gerätesystems anzuzeigen.
    - 7(b) Software installieren: Drücken Sie die Taste „\* \* \*“, um die Software-Installation über den USB-1-Anschluss zu starten. Wenn die Dateien nicht gefunden werden, werden die Schaltflächen zum Fortfahren nicht aktiviert.
    - 7(c) Werkseinstellungen: Drücken Sie die Taste „\* \* \*“ und bestätigen Sie, um einen Werksreset durchzuführen.
    - 7(d) LFB-Zuweisung: Drücken Sie diese Taste, um den LFB-Zuweisungsbildschirm für den Analog-Tasten-Modus zu öffnen (nicht für den IR-Stalk-Schaltflächen-Modus)
    - 7(e) Open-Source-Lizenz: Drücken Sie, um den Lizenztext anzuzeigen.
    - 7(f) Legal: Drücken um hinweise zu sehen.

Sie können die DAB-Quelle unter anderem über die frontseitige DAB-Sensor-Taste oder über das Quelle-Symbol auf dem Startbildschirm aufrufen. Sie können auch über die DAB-Taste in der rechten unteren Ecke der UKW-Quelle direkt von der UKW- zur DAB-Quelle wechseln.

Mit der DAB-Quelle können Sie die erweiterten digitalen Radioprogramme genießen, die über den neuen DAB+-Standard ermöglicht werden. Im unteren Bereich können Sie die Kategorie ändern, die den Quellen-Hauptbereich entsprechend aktualisiert.



### Bedientasten

1. Zurück Drücken Sie, um zum Startbildschirm zurückzukehren.
2. Einstellungen
  - 2(a) Reset: Drücken Sie diese Taste, um die Liste zu löschen und einen neuen Suchlauf zu starten.
  - 2(b) Comfort Scan: Drücken um ComfortScan EIN/AUS zu schalten.
  - 2(c) Antennenversorgung: Drücken Sie den Schalter, um die 12V-Spannungsversorgung für Ihre DAB-Antenne zu aktivieren/deaktivieren.
  - 2(d) DAB-Firmware: Zeigt die aktuelle DAB-Firmwareversion an.
3. Info In dieser Ansicht sehen Sie die Logos der aktuell abgespielten Sender sowie Bilder und Text, die vom Sender übertragen werden.
  - 3.1 Drücken Sie die Pfeiltasten, um den Sender der aktuell ausgewählten Gruppe zu wechseln. Halten Sie die Pfeiltasten gedrückt, um zur nächstmöglichen Gruppe zu wechseln – der erste Sender der neuen Gruppe wird automatisch abgespielt.
  - 3 (A) Diashow-Platzhalter oder empfangene MOT-Diashow-Bilder, die vom gewählten Sender ausgestrahlt werden.
  - 3 (B) DLS-Text; 3 (C) Service Label / Sendername; 3 (D) Gruppenlabel
  - 3 (E) Signalqualität des gewählten Senders.
  - 3 (F) Senderliste Anzahl / maximale Sender
4. Liste Die Listenansicht ermöglicht es Ihnen, alle empfangenen Gruppen anzuzeigen und wird regelmäßig aktualisiert. Sie können eine Gruppe auswählen, indem Sie darauf tippen, und es werden die darin enthaltenen Sender angezeigt, die Sie auch direkt antippen können, um sie abzuspielen.
5. Preset In dieser Ansicht werden die Presettasten angezeigt, die als Schnellauswahl- oder Favoriten-Tasten fungieren. Um den aktuellen Sender auf einer Presettaste zu speichern, halten Sie diese gedrückt, bis die Taste mit den Senderinformationen aktualisiert wird.
6. FM Drücken Sie die Schaltfläche, um direkt zur UKW-Radioquelle zu wechseln.
7. SCAN Drücken Sie diese Taste, um nach neuen Sendern zu suchen und die Senderliste zu aktualisieren.

### Hinweise:

Bitte beachten Sie, dass einige Funktionen vom ausgestrahlten Sender und der Empfangsqualität abhängen.

Sie können die UKW-Quelle unter anderem über das Quelle-Symbol auf dem Startbildschirm aufrufen. Sie können auch über die UKW-Taste in der rechten unteren Ecke der DAB-Quelle direkt von der DAB- zur UKW-Quelle wechseln.

Im unteren Bereich können Sie die Kategorie ändern, die auch den Quellen-Hauptbereich entsprechend aktualisiert.



### Bedientasten

1. Zurück Drücken Sie, um zum Startbildschirm zurückzukehren.
2. Einstellungen Öffnet zusätzliche Einstellungen für die UKW-Quelle.
  - 2(a) Automatisches Speichern: Drücken Sie auf Start, um die automatische Suche und Speicherung der Presettasten zu starten.
  - 2(b) Modus: Drücken Sie die Pfeiltasten, um den neben der Frequenz angezeigten DX/LOC-Modus zu wechseln.
  - 2(c) AF: Drücken Sie um die AF-Funktion (Alternative Frequenzen) EIN-/AUS-zuschalten.
  - 2(d) TA: Drücken Sie den Schalter, um die TA-Funktion (UKW-Verkehrsdurchsagen) ein- und auszuschalten
3. Info: In dieser Ansicht werden Ihnen der Sendername und der empfangene Radiotext angezeigt. Zwischen den Aufwärts- und Abwärtssuch-Tasten (Pfeiltasten) wird zusätzlich die Frequenz angezeigt. Drücken Sie die Pfeiltasten, um die Aufwärts-/Abwärtssuche zum nächsten empfangbaren Sender zu starten.
4. Skala
  - (A) UKW-Frequenzskala mit einer Markierung der aktuell eingestellten Frequenz angezeigt.
  - (B) Aktuell eingestellte Frequenz.
  - (C) Aktueller UKW-Modus. Kann in den UKW-Einstellungen geändert werden.
  - 4.1 Drücken Sie die Pfeiltasten, um sich in Einzelschritten von 0,1 MHz nach oben/unten zu bewegen.
  - 4.2 Drücken Sie die Pfeiltasten, um die Aufwärts-/Abwärtssuche zum nächsten empfangbaren Sender zu starten.
5. Voreinstellung In dieser Ansicht werden die Voreinstellungstasten angezeigt, die als Schnellauswahl- oder Favoriten-Tasten fungieren. Um den aktuellen Sender auf einer Voreinstellungstaste zu speichern, halten Sie diese gedrückt, bis die Taste mit den Senderinformationen aktualisiert wird.
6. DAB Drücken Sie, um direkt zur DAB-Radioquelle zu wechseln.

### Hinweis:

Dieses Gerät verfügt über einen RDS-Tuner. RDS ist ein System, das zusätzlich zum UKW-Radiosignal Daten überträgt. Verfügbarkeit und Inhalt der RDS-Daten sind abhängig vom jeweiligen Sender und dessen Signalstärke. RDS sendet beispielsweise alternative Frequenzen, die Frequenzänderungen ohne Benutzereingriff ermöglichen. Sie müssen die AF-Funktion aktiviert haben, um die RDS-Funktionen nutzen zu können.

## USB- / IPOD- / BT- / MUSIK(A/V)-QUELLE

Auf die Quellen USB und iPod kann unter anderem über das Startbildschirm-Symbol und BT-Musik mit einem angeschlossenen Telefon über die Bluetooth-Quelle zugegriffen werden, um Audio (BT, USB, iPod) oder Video (nur USB) wiederzugeben.

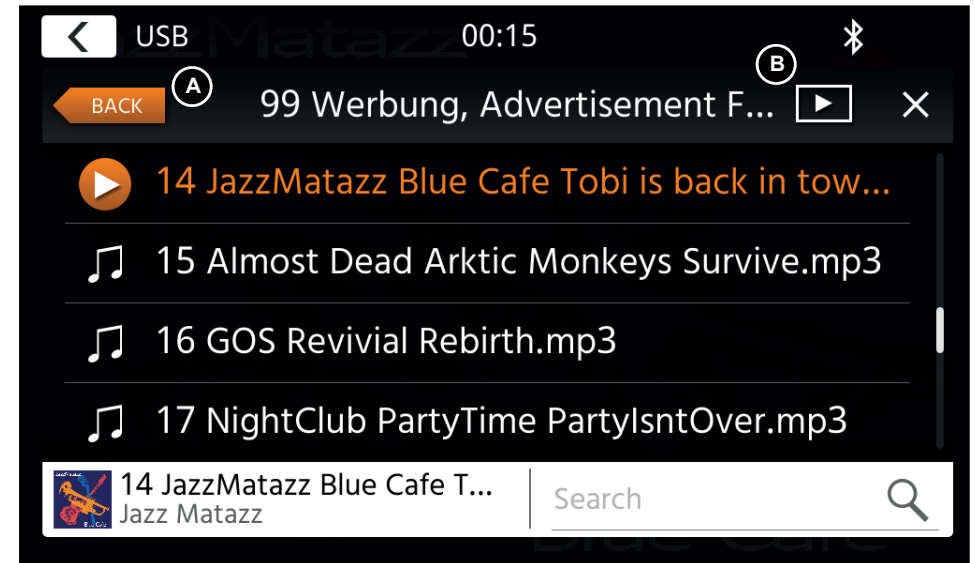
Die Wiedergabe von Dateien ist für alle Quellen ähnlich und kann über die Mediaplayer-Oberfläche gesteuert werden. Um Videos im USB-Modus wiederzugeben, müssen Sie den Standardfilter in der Listenansicht (4) auf den Videodateityp (B) ändern.



In dieser Hauptansicht werden die Bedienelemente des Mediaplayers angezeigt. Wie üblich können Sie die Pause-, Fortsetzungs-, Wiedergabe- oder Sprungtasten verwenden, um den nächsten Titel wiederzugeben. Sie können auch die Sonderfunktionen wie Repeat und Shuffle aktivieren.

### Bedientasten:

1. Zurück Drücken Sie, um zum Startbildschirm zurückzukehren.
2. EQ Drücken Sie, um die Equalizer-Einstellungen zu öffnen (siehe Kapitel Geräteeinstellungen).
3. Suche Drücken Sie, um die Suche zu öffnen (nicht verfügbar bei Bluetooth-Musik).
4. Liste Drücken Sie, um die Listenansicht zu öffnen (nicht verfügbar bei Bluetooth-Musik).



Im Listenansichtsmodus (nicht verfügbar in Bluetooth-Musik) können Sie Ihre Mediendateien ähnlich wie eine Ordner-Datei-Liste durchsuchen. Um Ordner zu öffnen, tippen Sie einfach auf sie, um ihren Inhalt anzuzeigen, den Sie auch direkt antippen können, um die Wiedergabe zu starten. Es wird mit einem Wiedergabesymbol und in der unteren Zeile angezeigt. Um eine Ebene zurückzugehen, verwenden Sie die Taste Zurück (A) oder Sie können zum Videomedientyp (nur USB-Modus) wechseln, indem Sie (B) das Filtersymbol drücken.

### Zusätzliche Hinweise zur Videowiedergabe:

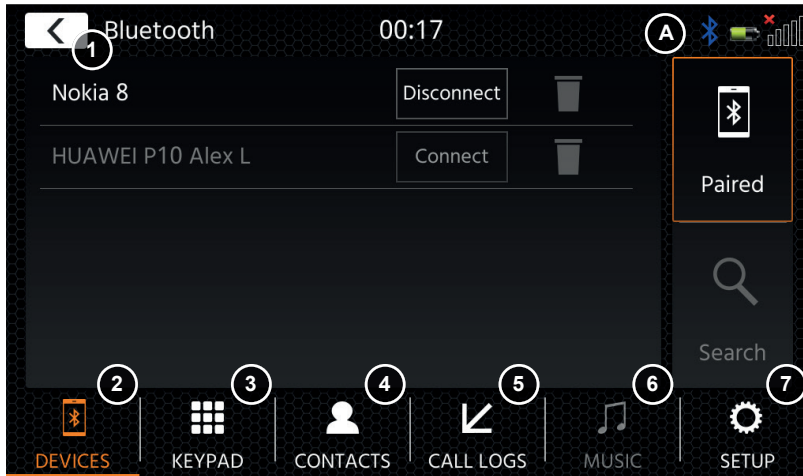
Die Videowiedergabe ist nur möglich, wenn die Handbremse angezogen ist.

Die Wiedergabe erfolgt im Vollbildmodus. Um den Vollbildmodus zu verlassen, drücken Sie einfach den Touchscreen-Bereich Ihres Gerätes.

## BLUETOOTH: KOPPELN, VERBINDEN, TELEFONIEREN, MUSIK

Bei der ersten Benutzung ist die Kategorie (2) aktiv und Sie können Ihr kompatibles Telefon über Scan/Suche koppeln. Bitte stellen Sie sicher, dass Ihr Telefon sichtbar ist, bis es in der Suchergebnisliste erscheint. Um zu koppeln, tippen Sie auf die Zeile mit Ihrem Telefon aus der Liste und bestätigen Sie das Passwort. Bitte stellen Sie auch sicher, dass die Berechtigung, z. B. für Kontakte, erteilt bzw. akzeptiert wird. Aktive oder automatisch verbundene Telefone werden im Statusbereich (A) mit einem aktiven Bluetooth-Symbol, dem Batterie- und Signalstärke-Symbol (falls unterstützt) angezeigt.

Im unteren Bereich können Sie eine andere Kategorie auswählen, die den Hauptansichtsbereich aktualisiert.

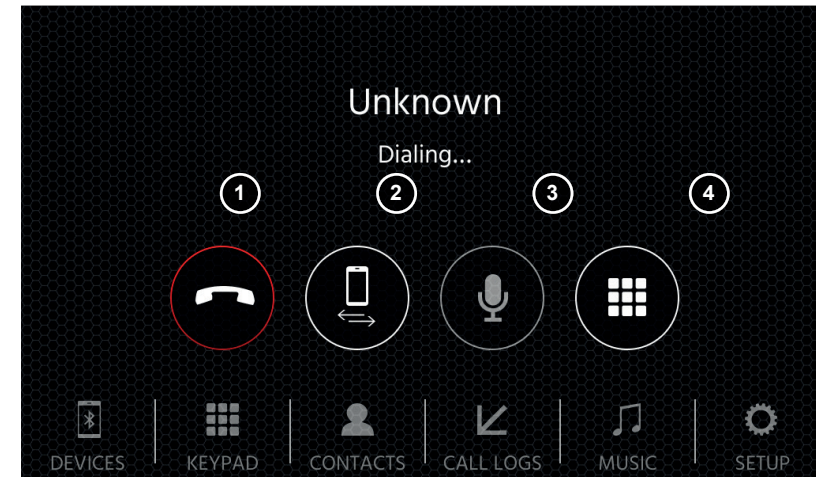


### Bedientasten

1. Zurück  
Drücken Sie, um zum Startbildschirm zurückzukehren.
2. Geräte  
Hier können Sie Ihre gekoppelten Telefone verwalten (manuelles Verbinden/Trennen, Löschen) oder über die Suche neue Telefone hinzufügen.  
Tippen Sie auf die Schaltfläche Verbinden/Trennen, um die Verbindung manuell zu trennen und ein anderes Telefon anzuschließen.  
Tippen Sie auf die Schaltfläche Papierkorb-Symbol, um ein gekoppeltes Telefon zu löschen.  
Hinweis: Es ist nur möglich, ein einzelnes Telefon gleichzeitig anzuschließen.
3. Tastenfeld  
Drücken Sie, um die Wähltastatur mit dem aktiven Telefon zu öffnen.
4. Kontakte  
Drücken Sie diese Taste, um die Kontaktliste des aktiven Telefons zu öffnen.  
Sie können die Synchronisierung manuell wiederholen, falls nicht alle Kontakte angezeigt werden oder dem Telefon neue Kontakte hinzugefügt wurden.  
Sie können die Liste durchblättern oder die Suchfunktion nutzen, um einen Kontakt zu suchen.  
Ein Kontakt kann wie ein Ordner bedient und mit Antippen geöffnet werden, um seine enthaltenen Nummern zu öffnen.  
Tippen Sie auf die Zeilennummer, um einen Anruf zu starten.  
Verwenden Sie die orangefarbene Zurück-Taste oben links in der Listenansicht, um eine Ebene nach oben zu gelangen.
5. Anruflisten  
Hier haben Sie eine separate Listenansicht für ausgehende, empfangene, eingehende und verpasste Anrufe.  
Sie können auf eine Linie tippen, um einen Anruf zu starten.
6. Musik  
Drücken Sie, um die Bluetooth-Musikwiedergabe über A2DP zu starten.  
Hinweis: Bei einige Smartphones müssen Sie zuerst die Musik-App auf dem Smartphone starten.  
Die Verwendung des Bluetooth-Musikplayers ist im Kapitel „USB- / iPod- / BT-Musik- / (AV)-Quelle“ beschrieben.
7. Setup  
Drücken Sie diese Taste, um die Bluetooth-Einstellungen für erweiterte Optionen wie automatische Verbindung, Einstellungen der automatischen Antwortkontaktliste und Mikrofoneinstellungen zu öffnen.  
6(a) Automatische Verbindung: Drücken Sie, um die automatische Verbindung EIN-/AUS-zuschalten.  
6(b) Automatische Beantwortung: Drücken Sie, um die automatische Beantwortung EIN-/AUS-zuschalten.  
6(c) Mikrofonverstärkung: Drücken Sie die Pfeiltasten, um die Werte zu ändern.  
6(d) Kontaktreihenfolge: Drücken Sie die Pfeiltasten, um den Werte einzustellen.

Bei ein- und ausgehenden oder aktiven Anrufen wechselt das Gerät automatisch in den Vollbildmodus und zeigt Ihnen den Kontaktnamen oder die Kontaktnummer (falls vorhanden) oder bei unterdrückter Anruferkennung unbekannt, an.

Je nach Anrufstatus (Initiiert, Klingeln, Wählen, Aktiv) können Sie einen Anruf (1) auflegen, ablehnen oder annehmen. Bei aktivem Anruf können Sie in den Privatmodus (2) oder zu Auto-Lautsprechern wechseln, das XZENT-Mikrofon (3) stummschalten oder die Tastatur für Anrufoptionen (4) öffnen.



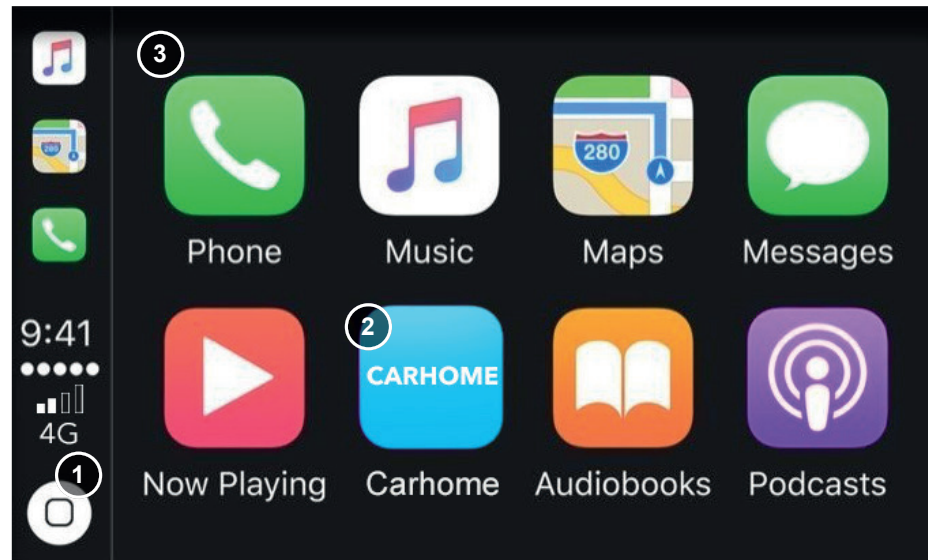
Mit Apple CarPlay können Sie in Ihrem Auto auf kompatible Apps und Online-Dienste Ihres iPhones zugreifen und diese intuitiv über das Display Ihres XZENT oder den Sprachassistenten von Apple bedienen.

## VORBEREITUNG:

- Verbinden Sie das kompatible iPhone mit dem USB-1-Port (grau) des XZENT.
- Falls Bluetooth nicht automatisch gekoppelt wird, stellen Sie die Verbindung manuell her.
- Entsperren Sie Ihr iPhone.

## ERSTINBETRIEBNAHME:

1. Bei der Erstinbetriebnahme darf das Fahrzeug nicht in Bewegung sein und die Handbremse muss angezogen sein.
2. Tippen Sie auf das CarPlay-Symbol im Hauptmenü des XZENT, um die CarPlay-Quelle auszuwählen. Nach erfolgreicher Erstinbetriebnahme erscheint die CarPlay-Benutzeroberfläche auf dem Bildschirm des XZENT.



1. Tippen Sie an, um den Startbildschirm von CarPlay anzuzeigen.
2. Tippen Sie an, um das Hauptmenü von XZENT zu öffnen.
3. Tippen Sie auf eines der APP-Symbole, um die Anwendung zu starten.

**Hinweis:** Sie können nur eine Routenführung aktiv haben. Wird mit CarPlay eine Routenführung gestartet wird die natvie Navigationsquelle beendet um die Sprachausgabe von 2 Systemen zur Rutenführung zu vermeiden. Die Navigationsquelle wird nicht mehr automatisch mit gestartet und muss bei der nächsten gewünschten Verwendung manuell gestartet werden.

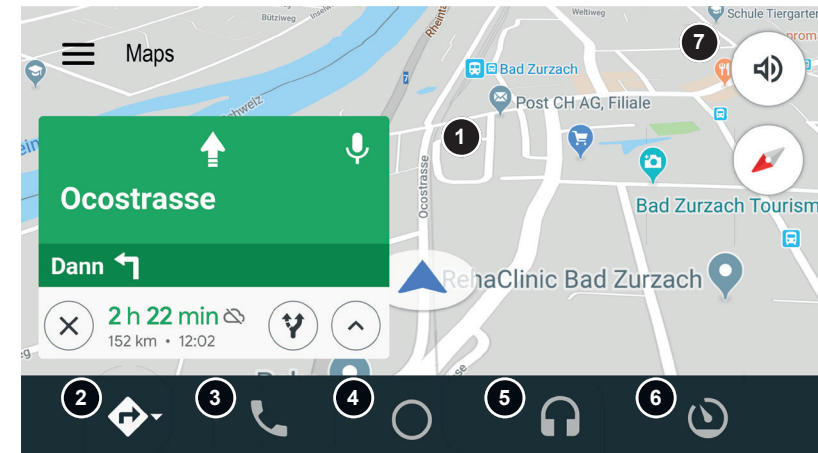
Mit Google Android Auto können Sie in Ihrem Fahrzeug auf kompatible Apps und Online-Dienste Ihres Android Smartphones zugreifen und sie intuitiv über den Bildschirm Ihres XZENT Gerätes oder den Google Sprachassistenten bedienen.

## VORBEREITUNG:

- Laden Sie die Android Auto App aus dem Google Play Store herunter.
- Verbinden Sie das Android Smartphone mit dem Front USB-Anschluss des XZENT Gerätes.
- Die Bluetooth Verbindung wird benötigt und wird beim Erstanschluss via Front USB automatisch initialisiert.

## ERSTINBETRIEBNAHME:

1. Für die Erstinbetriebnahme darf das Fahrzeug nicht in Bewegung sein und die Handbremse muss angezogen werden.
2. Tippen Sie auf die Android Auto Schaltfl äche im Hauptmenü des XZENT Gerätes um Android Auto als Wiedergabequelle auszuwählen.
3. Folgen Sie den Dialogen auf dem Bildschirm des Smartphones und des XZENT Gerätes um Android Auto einzurichten und um das Startverhalten zu konfi gurieren.
4. Nachdem die Erstinbetriebnahme erfolgreich abgeschlossen wurde, erscheint die Android Auto Benutzeroberfl äche auf dem Bildschirm des XZENT Gerätes.



1. Android Auto Benutzeroberfl äche
2. Navigation.
3. Telefonie.
4. Android Auto Benutzeroberfl äche aufrufen
5. Medienwiedergabe .
6. Zurück zum XZENT Hauptmenü.
7. Android Auto Sprachsteuerung aktivieren.
8. Smartphone Status Information (Abhängig vom Modell).

## Hinweise:

- Möglicherweise ist Android Auto nicht auf allen Geräten und nicht in allen Ländern und Regionen verfügbar.
- Um Android Auto mit Ihrem Android Smartphone zu nutzen, muss mindestens Android 5.0 (Lollipop) oder eine neuere Version des Android Betriebssystems auf dem Smartphone installiert sein.
- Mehr generelle Informationen über Android Auto finden Sie unter <https://www.android.com/auto/> und <https://support.google.com/androidauto#topic=6348027>



Wenn die XZENT-Einstellung auf CAMERA>CAM1+CAM2 eingestellt ist, befindet sich die Kameraquelle im dualen Modus, und Sie können die Taste CAM Switch drücken, um das Bild von CAM 1 auf CAM 2 umzuschalten. Standardmäßig ist die XZENT auf CAMERA>CAM1 eingestellt.

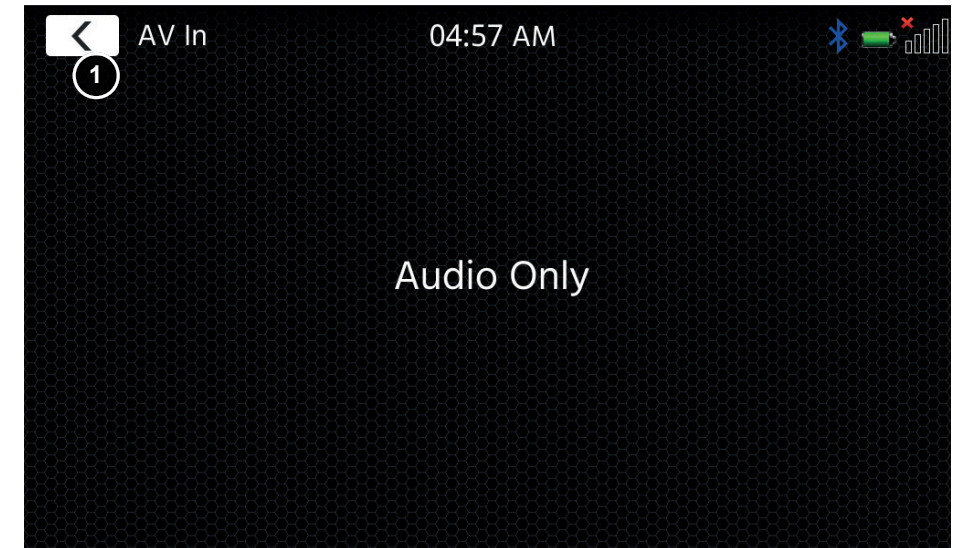
Jede Kameraquelle hat eine andere Farbe der Kameralinien, die in den XZENT-HauptEinstellungen ein- und ausgeschaltet werden können.

Um die Kameralinien an Ihre Bedürfnisse anzupassen, aktivieren Sie die entsprechende CAM-Quelle durch Drücken des CAM-Symbols im Hauptmenü oder legen Sie den Rückwärtsgang ein (CAM 1). Wenn das Kamerabild sichtbar ist, drücken Sie auf das Zahnrad, um die Kameraeinstellungen aufzurufen. Jede Kameraquelle kann eine individuelle Kamerazeileneinstellung speichern.

Die A/V-IN- und HDMI-Quelle kann unter anderem über das Startbildschirm-Symbol aufgerufen werden. Die Quelle liefert Ihnen den A/V-IN- oder HDMI-Signaleingang zu Ihrem XZENT. Außer der Schaltfläche „Zurück zum Startbildschirm“ gibt es hier keine spezielle Touch-Funktion.

#### Bedientasten

1. Zurück Drücken Sie, um zum Startbildschirm zurückzukehren.



# GARANTIEBEDINGUNGEN

## Welche Produkte werden von der eingeschränkten Garantie von XZENT abgedeckt?

Die eingeschränkte Garantie (die „Garantie“) gilt für XZENT-Produkte, die von Endkunden im Europäischen Wirtschaftsraum oder in der Schweiz („räumlicher Geltungsbereich“) bei einem autorisierten Händler gekauft wurden.

## Welche Gültigkeitsdauer hat die XZENT-Garantie?

Im Rahmen dieser Garantie garantiert XZENT für einen Zeitraum von 2 Jahren, dass das Produkt zum Zeitpunkt des ersten Kaufs frei von Material- und/oder Verarbeitungsfehlern ist. Diese 2-Jahres-Frist beginnt mit dem Datum des ursprünglichen Kaufs gemäß der Originalrechnung oder bis zum Erhalt. Wenn Sie das Produkt als Verbraucher gekauft haben und der Mangel innerhalb der ersten sechs Monate nach dem ersten Kauf (siehe oben) festgestellt wird, gehen wir davon aus, dass der Mangel bereits zum Zeitpunkt des Kaufs bestand.

## Wer kann die Garantie in Anspruch nehmen?

XZENT gewährt die eingeschränkte Garantie nur natürlichen Personen, die das betreffende Produkt hauptsächlich für den persönlichen Gebrauch erworben haben.

## Was wird von der Garantie abgedeckt?

XZENT garantiert, dass das Produkt zum Zeitpunkt des ersten Kaufs frei von Material- und/oder Verarbeitungsfehlern ist. XZENT übernimmt jedoch keine Garantie für alle Mängel und Schäden, die auftreten können. Sie deckt nur die Hardwarekomponenten des Geräts ab, keinesfalls aber die mit dem Gerät verwendete Software, unabhängig davon, ob diese von XZENT oder dem Drittanbieter bereitgestellt wurde. Die Garantie erstreckt sich daher insbesondere nicht auf die folgenden Fälle:

- normale Abnutzung (z. B. an Oberflächen und Schutzabdeckungen);
- oberflächliche Schäden, wie Kratzer, Dellen und beschädigte Kunststoffteile, abgenutzte oder mechanisch defekte Verbindungen;
- Missbrauch, einschließlich jeder Behandlung, die zu physischen oder oberflächlichen Schäden, wie z. B. kosmetischen Mängeln, am Produkt führt;
- Schäden, die durch den Anschluss oder die Verwendung des Produkts für einen anderen als den angegebenen Zweck oder durch die Nichtbeachtung der Betriebs- und/oder Installationsanweisungen für das jeweilige Modell verursacht werden;
- Installation oder Verwendung des Produkts im Widerspruch zu den geltenden technischen Normen oder den Sicherheitsvorschriften des Landes, in dem das Produkt installiert oder verwendet wird;
- Schäden, die durch einen nicht autorisierten Reparaturversuch oder einen Reparaturversuch durch eine andere Person als einen von XZENT autorisierten Servicepartner verursacht wurden;
- Schäden, die durch Änderungen am Produkt verursacht wurden, die nicht ausdrücklich vom Hersteller genehmigt wurden;
- Schäden, die durch bösartigen Code („Software-Viren“) oder durch die Verwendung von Software, die nicht mit dem Produkt geliefert wurde oder die falsch installiert wurde, entstehen;
- Verwendung von Softwareprogrammen von Drittanbietern zum Bearbeiten, Ändern, Anpassen oder Erweitern der autorisierten Softwarekomponenten von XZENT, die auf dem Produkt ausgeführt werden;
- Verwendung von Firmware/Betriebssystemsoftware von Drittanbietern
- Schäden, die durch Flüssigkeiten oder Chemikalien jeglicher Art und/oder übermäßige Temperaturen, Feuchtigkeit oder Nässe verursacht werden;
- Unfälle, Stürze oder andere Auswirkungen extremer Beschleunigungskräfte;
- Schäden, die durch Blitzschlag, elektrostatische Aufladung, falsche Betriebsspannung, Wasser, Feuer, höhere Gewalt, unzureichende Belüftung oder andere Gründe, für die XZENT nicht verantwortlich ist, verursacht werden;
- Schäden, die durch die Verwendung des Geräts außerhalb der festgelegten Spezifikationen entstehen;
- Schäden, die durch die Verwendung des Produkts mit anderen Systemen oder Geräten entstehen, die nicht für die Verwendung mit diesem Produkt vorgesehen sind;
- Anpassungen oder Änderungen ohne vorherige schriftliche Genehmigung von XZENT, einschließlich Produktverbesserungen, die über die in dem Handbuch beschriebenen Spezifikationen oder Eigenschaften hinausgehen;
- Änderungen des Produkts zur Anpassung an nationale oder lokale technische Normen oder Sicherheitsstandards von Ländern, für die das Produkt nicht ausdrücklich entworfen oder hergestellt wurde;
- Verwendung von Service oder Ersatzteilen, die nicht von XZENT hergestellt oder vertrieben werden;
- Verwendung des Produkts in Verbindung mit Zubehör, das nicht für die Verwendung mit diesem Produkt zugelassen ist;

XZENT übernimmt darüber hinaus keine Garantie (weder ausdrücklich noch stillschweigend, gesetzlich oder anderweitig) für die Qualität, Leistung, Zuverlässigkeit oder Eignung des Produkts für einen bestimmten Zweck, außer wie beschrieben, noch für die auf dem Gerät ab Werk installierte Software/Firmware.

Darüber hinaus wird keine Garantieleistung erbracht, wenn die Modellnummer/Seriennummer/UUID/Produktnummer auf dem Produkt geändert, gelöscht, unleserlich gemacht oder entfernt wurde. Gleiches gilt, wenn die Quittung oder Rechnung bei ihrer Vorlage unvollständig und/oder unleserlich ist.

## Haftet XZENT für andere Mängel oder Schäden?

XZENT wird Produkte nur dann reparieren oder ersetzen, wenn sie durch die Bedingungen dieser Garantie abgedeckt sind. XZENT haftet nicht für materielle oder immaterielle Verluste oder Schäden, wie z. B. den für das Produkt gezahlten Preis, entgangene Gewinne, Einnahmen, Daten oder in Bezug auf die Nutzung des Produkts oder der damit verbundenen Komponenten, die direkt oder indirekt im Rahmen dieser Garantie oder anderweitig im Zusammenhang mit Produkten oder Dienstleistungen entstehen. Dies gilt auch für Schäden, die sich aus der Beeinträchtigung oder dem Ausfall des Produktes oder damit verbundener Geräte aufgrund von Mängeln oder der Nichtverfügbarkeit des Produktes während der Zeit, in der es sich bei XZENT oder dem Servicepartner von XZENT befindet, ergeben, sowie für Ausfallzeiten und Betriebsunterbrechungen. Darüber hinaus übernimmt XZENT keine Haftung für versandbedingte Risiken - wie den Verlust oder die Zerstörung des Produktes - im Zusammenhang mit der Erfüllung der Garantie.

Dieser Haftungsausschluss gilt für Schäden, gleich aus welchem Rechtsgrund, insbesondere aus Fahrlässigkeit, sonstigem unerlaubten Verhalten (Delikt), Vertragsverletzung, ausdrücklicher oder stillschweigender Garantie und Gefährdungshaftung (auch wenn XZENT oder ihr Servicepartner auf die Möglichkeit des Eintritts eines solchen Schadens hingewiesen wurde).

Wenn diese Haftungsausschlüsse nach geltendem Recht verboten oder eingeschränkt sind, beschränkt XZENT seine Garantie und Haftung auf das im Rahmen der geltenden Vorschriften Zulässige. So verbieten zum Beispiel einige nationale Gesetze den Ausschluss oder die Begrenzung von Schadensersatzansprüchen im Zusammenhang mit Fahrlässigkeit, grober Fahrlässigkeit, Vorsatz, Arglist und anderen derartigen Handlungen. Für die Dauer dieser Garantie wird die gesamte Haftung, die nicht vollständig ausgeschlossen werden kann, auf den nach geltendem Recht zulässigen Umfang beschränkt. Die Haftung im Rahmen dieser Garantie ist auf den für das Produkt gezahlten Preis beschränkt. Wenn das anwendbare Recht nur höhere Haftungsgrenzen zulässt, gilt diese höhere Grenze.

## Wie übe ich meine Garantierechte aus?

Wenn Sie Ihre Rechte aus dieser Garantie geltend machen möchten, wenden Sie sich bitte an den autorisierten Händler, bei dem Sie das Produkt gekauft haben, und legen Sie ihm die Originalkopie des Kassenbelegs oder der Rechnung vor. Senden Sie keine Produkte direkt an XZENT zurück, da sonst unsere Garantieverpflichtungen nicht erfüllt werden können. Den Namen des betreffenden Händlers oder Wiederverkäufers finden Sie auf Ihrem Kaufbeleg.

Defekte Geräte, die vom Vertragshändler an das Service-Center geschickt werden, müssen auch alle Zubehörteile enthalten, die in einem logischen Zusammenhang mit dem festgestellten Fehler stehen. Dies ist z. B. das Navigationspaket auf einer mit dem Gerät mitgelieferten oder gekauften SD- oder microSD-Karte, wenn Probleme oder Funktionsfehler im Zusammenhang mit der Navigationsfunktion festgestellt wurden.

## Wie wird XZENT seine Garantie erfüllen?

XZENT oder sein Servicepartner wird das Produkt oder seine defekten Teile, die unter die Garantie fallen, entweder reparieren oder ersetzen und die Material- und Arbeitskosten übernehmen.

Reparaturen im Rahmen der Garantie müssen von XZENT oder einem autorisierten Servicepartner durchgeführt werden. Produkte, die repariert oder ersetzt werden, können neue und/oder aufgearbeitete Komponenten und Geräte enthalten. Die ausgetauschten Komponenten gehen in das Eigentum von XZENT über.

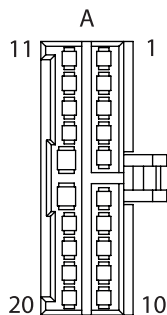
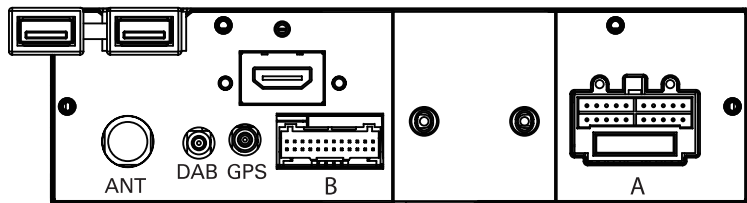
## Entstehen mir im Zusammenhang mit der Garantieleistung irgendwelche Kosten?

XZENT übernimmt die Kosten für Material und Arbeit im Zusammenhang mit ihrer Garantieleistung. Der Garantiennehmer trägt die Versandkosten und die mit dem Versand verbundenen Risiken (siehe oben). Sollte sich herausstellen, dass das Produkt fehlerfrei funktioniert oder kein Garantieanspruch besteht, weil die Garantiezeit abgelaufen ist oder aus anderen Gründen, ist XZENT oder der autorisierte Servicepartner berechtigt, eine Untersuchungspauschale von 30,00 € zu berechnen.

## Beeinträchtigt diese Garantie meine gesetzlichen oder vertraglichen Rechte?

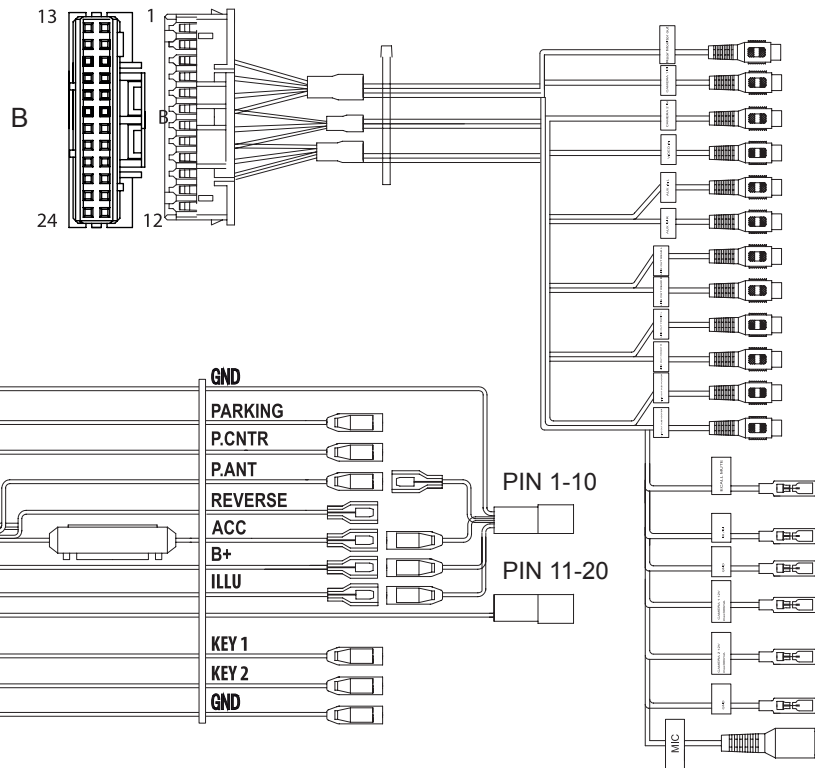
Diese Garantie wird von XZENT freiwillig gewährt und erweitert in jedem Fall Ihre gesetzlichen Rechte. Als Verbraucher behalten Sie in vollem Umfang im Besitz Ihre gesetzlichen Rechte, z. B. der gesetzlichen Gewährleistung. Diese Garantie hat auch keine Auswirkungen auf Ihre vertraglichen Rechte gegenüber dem Wiederverkäufer. Sie können diese Rechte weiterhin in vollem Umfang nutzen.

ANSCHLUSSPLAN



PIN NO	Description	PIN NO	Description
1	FL+	11	FR+
2	FL-	12	FR-
3	RL+	13	RR+
4	RL-	14	RR-
5	NC	15	B+
6	NC	16	GND
7	ILLU	17	PARKING
8	ACC	18	P-CONT
9	REVERSE	19	P_ANT_CON
10	NC	20	NC

PIN NO	Description	PIN NO	Description
1	VIDEO OUT	13	NC
2	CAMERA 1/2, IN	14	AUX VIDEO
3	DGND	15	AUX IN (L)
4	AUX GND	16	AUX IN (R)
5	NC	17	RR LINE OUT
6	RL LINEOUT	18	FR LINE OUT
7	FL LINEOUT	19	SUB LINE OUT
8	AGND	20	CAMERA-2, 12V
9	IR IN	21	NC
10	NC	22	ECALL MUTE
11	AGND	23	CAMERA-1, 12V
12	MIC-	24	MIC+



Elektrische Eigenschaften

Netzteil: +12 V DC gegen Fahrzeugmasse  
 Externer Schutz gegen internen Kurzschluss: Sicherung 15 A Mini-ANL

Betriebsströme\*

ACC im Ruhezustand: <5,0 mA  
 Audio-/Videowiedergabe (VOL 20): ~ 1,40 A  
 GPS-Modus bei aktiver Zielführung: ~1,55 A, (VOL 20, kein Lademodus)  
 mit CarPlay oder Google Android Auto: ~2,0 A (mit Laden)  
 GPS-Modus bei aktiver Zielführung: ~1,55 A, (VOL 40, kein Lademodus),  
 mit CarPlay oder Google Android Auto: ~4,1 A (mit Laden)

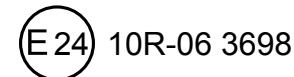
\* bei 13,8 V Betriebsspannung mit angeschlossenen vorderen und hinteren 4-Ohm-Lautsprechern am Gerät

Hereby, ACR Brändli + Vögeli AG declares that the type of radio equipment X-127 complies with the 2014/53/EU Directive. The full text of the EU Declaration of Conformity is available at the following Internet address: [www.xzent.com](http://www.xzent.com) (see link „Product Conformity Documents“ in the footer of the page).

Hiermit erklärt ACR Brändli + Vögeli AG, dass der Funkanlagentyp X-127 der Richtlinie 2014/53/EU entspricht. Der vollständige Text der EU-Konformitätserklärung ist unter der folgenden Internetadresse verfügbar: [www.xzent.com](http://www.xzent.com) (siehe Link „Dokumente zur Produktkonformität“ im Fussbereich).

ACR Brändli + Vögeli AG déclare par la présente que le type d'équipement radio X-127 est conforme à la directive 2014/53 / UE. Le texte complet de la déclaration de conformité UE est disponible à l'adresse Internet suivante: [www.xzent.com](http://www.xzent.com) (voir le lien „Documents de conformité du produit“ dans le pied de page à la page).

Con la presente ACR Brändli + Vögeli AG dichiara che il tipo di apparecchio radio X-127 è conforme alla Direttiva 2014/53 / UE. Il testo completo della Dichiarazione di conformità UE è disponibile al seguente indirizzo Internet: [www.xzent.com](http://www.xzent.com) (vedere il collegamento „Documenti di conformità del prodotto“ nella parte inferiore della pagina).



## À PROPOS DE CE MANUEL

Ce manuel contient des informations importantes et des avertissements concernant le fonctionnement du module XZENT.

Veillez le conserver dans un endroit où vous pourrez y avoir accès ultérieurement.

INFORMATIONS SUR LA SÉCURITÉ	55
SUPPORT DE L'APPAREIL, MISES À JOUR DU LOGICIEL ET MAINTENANCE	56
PANNEAU AVANT	57
RÉGLAGE DE LA POSITION D'AFFICHAGE	58-59
MENU PRINCIPAL	60
COMMANDE AU VOLANT (mode OE, Interface IR-Stalk)	61-63
PARAMÈTRES DE L'APPAREIL	64-65
SOURCE RADIO DAB	66
SOURCE RADIO FM	67
SOURCE MUSIQUE USB/IPod/BT (A/V)	68-69
APPAIRAGE BLUETOOTH, CONNEXION, TÉLÉPHONET, MUSIQUE	70-71
SOURCE APPLE CARPLAY	72
SOURCE GOOGLE ANDROID AUTO	73
SOURCE CAMERA	74
SOURCE HDMI, A/V-IN	75
CONDITIONS DE GARANTIE	76-77
INFORMATIONS COMPLÉMENTAIRES, CARACTÉRISTIQUES TECHNIQUES	78

## Généralités

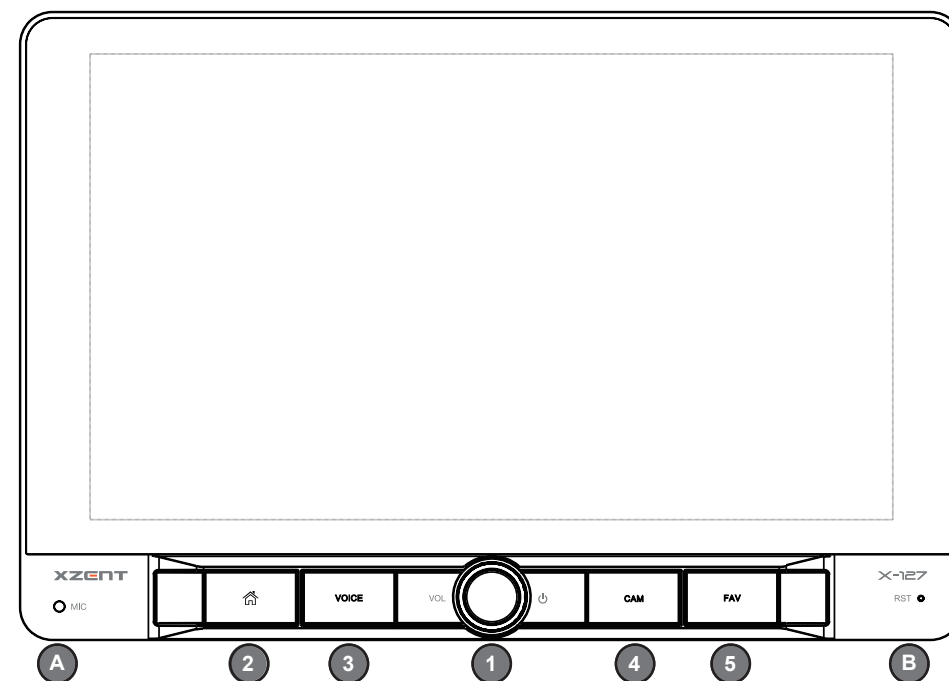
1. Les différentes descriptions et informations contenues dans ce manuel peuvent ne pas correspondre tout à fait à votre appareil.
2. Les photos montrées dans ce manuel et certaines captures d'écran de l'IHM peuvent ne pas correspondre tout à fait à votre appareil.
3. Les caractéristiques et le design technique de ce modèle d'appareil peuvent faire l'objet de modifications sans notification préalable.

- Veillez à bien lire toutes les instructions dans leur intégralité. Veillez à tenir compte de tous les avertissements. Veillez à respecter les consignes.
- Conservez ce manuel. Toute personne utilisant l'appareil doit pouvoir accéder à ce manuel.
- Ce module est destiné à fonctionner dans des véhicules équipés d'une batterie 12 VCC et d'une masse négative.
- Ne faites pas fonctionner l'appareil d'une autre façon que celle décrite dans le présent manuel. Le non-respect des instructions données peut conduire à l'annulation de la garantie.
- Ne démontez pas et ne modifiez pas l'appareil de quelque façon que ce soit, car cela annulerait sinon votre garantie. Ne tentez pas de réparer ou de réviser l'appareil vous-même, contactez un revendeur XZENT agréé.
- Veillez à n'utiliser que des accessoires d'origine, conçus et fabriqués pour l'appareil, afin d'éviter tout dommage. Veillez à installer l'appareil conformément aux instructions de montage et en utilisant les accessoires fournis pour le montage. En cas d'accident, les forces d'accélération peuvent être très importantes. Les appareils mal installés présentent un risque majeur pour le conducteur et les passagers en cas d'accident.
- Protégez l'appareil de l'eau et des autres liquides qui pourraient s'infiltrer dans le boîtier. Cela pourrait sinon entraîner un court-circuit ou un incendie.
- Afin d'éviter tout risque de court-circuit, n'insérez jamais d'objets métalliques (pièces de monnaie ou outils en métal) dans l'appareil.
- Avant de remplacer un fusible défectueux, essayez de trouver la cause du court-circuit. Faites attention aux câbles d'alimentation électrique ! Si le court-circuit ne vient pas de l'alimentation électrique ou des câbles, vous pouvez remplacer le fusible défectueux par un nouveau (de la même valeur). Si le court-circuit persiste, contactez un revendeur XZENT agréé.
- Pour la connexion à un autre appareil, consultez-en la notice pour vous assurer de sa compatibilité et pour consulter les informations liées au raccordement électrique. Ne tentez jamais de raccorder des produits non compatibles.
- Veillez à ne pas vider la batterie du véhicule en utilisant l'appareil lorsque le moteur est coupé. L'appareil consommant beaucoup d'énergie et la batterie ne se rechargeant que quand le moteur est en marche, il est possible que la batterie se décharge au point de ne plus pouvoir démarrer le moteur.
- Dans certains pays européens, la loi interdit de conduire avec des écrans diffusant des films dans le champ de vision du conducteur, car ils pourraient le distraire. Veillez à respecter le code de la route de votre pays, vous pourriez sinon faire l'objet de sanctions pénales en cas d'accident et même ne pas être couvert par votre assurance. Veillez à ce que le volume sonore à l'intérieur de votre véhicule ne soit pas trop élevé. Vous êtes tenu de pouvoir entendre les sons provenant de l'extérieur, comme les sirènes de police, etc.
- N'exposez pas l'appareil à des chocs violents. Cela pourrait entraîner le dysfonctionnement mécanique ou électrique de l'appareil.
- En cas de problèmes ou de questions au cours de l'installation, veuillez contacter votre revendeur/importateur XZENT.

Les mises à jour et les améliorations logicielles sont fournies sous la forme de mises à jour sur USB qui peuvent être téléchargées depuis notre site Web [www.xzent.com](http://www.xzent.com) sur lequel vous pouvez également contacter le service clientèle et retrouver la FAQ et d'autres informations utiles.

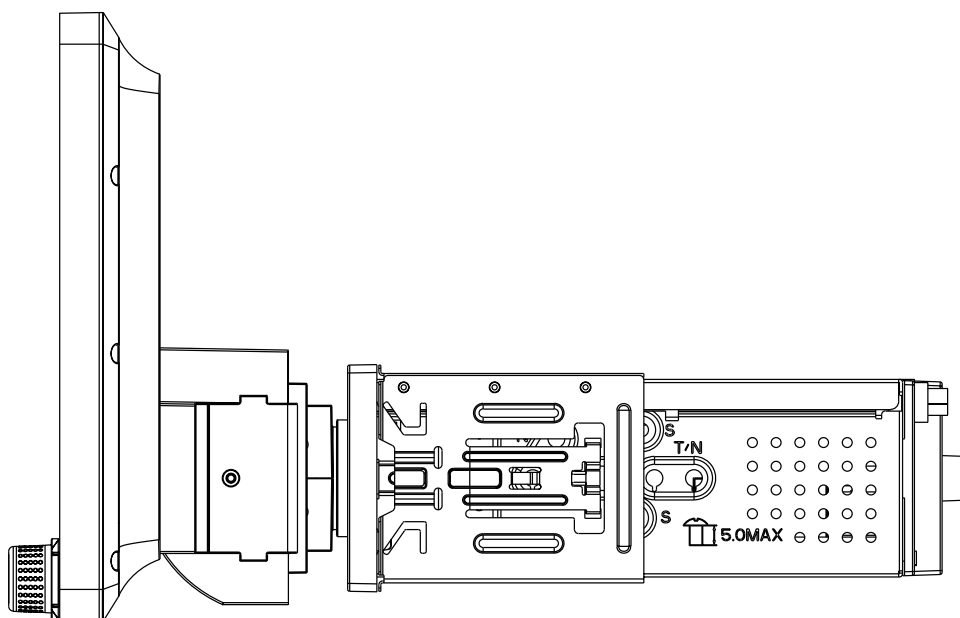
**ATTENTION** : cet appareil intègre des prises USB spécifiques ayant des fonctions spéciales (prise USB-1 / en haut, à l'arrière de l'appareil) et (prise USB-2 / au bas, à l'arrière de l'appareil). Les rallonges sont identifiées par une étiquette afin de garantir leur bonne identification.

Les mises à jour logicielles fournies par XZENT DOIVENT être installées sur la prise « USB-1 » (À UTILISER POUR LES MISES À JOUR LOGICIELLES). Si l'installation a été effectuée par un tiers sans le bon marquage/identification de la rallonge, testez l'autre prise USB en cas d'échec de la mise à jour.

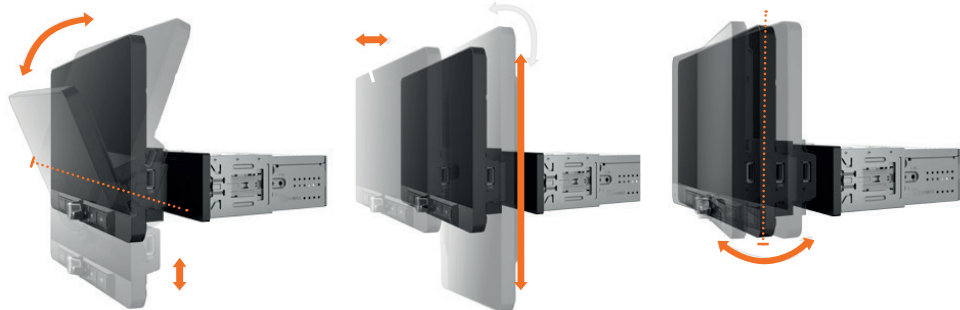


### Boutons de commande :

- |    |                  |  |
|----|------------------|--|
| 1. | VOL/PUISSANCE :  | Maintenez la touche enfoncée pour passer en mode Veille (écran éteint, audio coupé).<br>Si l'appareil est allumé, appuyez pour désactiver le son.<br>Si l'appareil est éteint, appuyez pour l'allumer.<br>Tournez dans le sens des aiguilles d'une montre pour augmenter le volume sonore.<br>Tournez dans le sens inverse des aiguilles d'une montre pour baisser le volume sonore. |
| 2. | Accueil          | Appuyez pour revenir à l'écran d'accueil.<br>Appuyez sur l'écran d'accueil pour accéder à la dernière source (si disponible).  |
| 3  | Voix             | Appuyez pour démarrer la reconnaissance vocale (en utilisation avec CarPlay ou Google Android Auto)  |
| 4. | CAM :            | Appuyez pour afficher la caméra par défaut, appuyez de nouveau pour fermer l'écran de la caméra.   |
| 5. | FAV :            | Appuyez pour exécuter la fonction FAV en appui bref dans les paramètres de l'appareil (voir le chapitre Paramètres de l'appareil).<br>Maintenez enfoncé pour exécuter la fonction FAV en appui long dans les paramètres de l'appareil (voir le chapitre Paramètres de l'appareil).   |
| A. | MIC              | microphone interne pour les fonctions mains-libres.  |
| B. | RÉINITIALISATION | Appuyez pour effectuer une réinitialisation électrique.  |



## RÉGLAGE DE LA POSITION D’AFFICHAGE



### RÉGLAGE DE LA POSITION D’AFFICHAGE (HAUTEUR VERTICALE, ANGLE DE VISION HORIZONTAL ET INCLINAISON).

L’écran du X-127 peut être réglé verticalement en hauteur ainsi qu’en angle de vue et en inclinaison.

#### Remarque :

- Les réglages de l’écran ne doivent pas être effectués pendant la conduite.
- Respectez les consignes de sécurité du véhicule. Faites également attention à l’accessibilité des boutons tels que les feux d’avertissement ou les sorties d’air.
- L’écran doit toujours être tenu avec les deux mains „parallèles“ (centrées à gauche et à droite) pour le régler.
- Le X-127 doit être solidement fixé.

#### Réglage de l’angle de vue et inclinaison:

Saisissez l’écran au centre des bords gauche et droit et poussez d’une main et tirez de l’autre pour régler l’angle de vue. Pour l’angle d’inclinaison, effectuez un mouvement d’inclinaison vers ou depuis vous-même avec les deux mains.

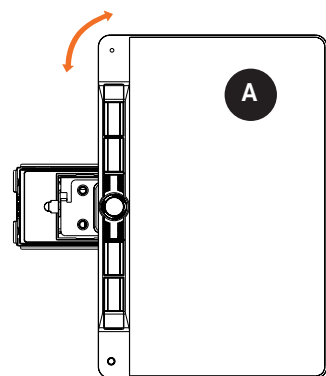
#### Réglage de la hauteur :

Saisissez le centre de l’écran par les bords gauche et droit et faites glisser l’écran vers le haut ou vers le bas.

Le réglage de la profondeur nécessite un démontage partiel et un ajustement du support standard. Voir la section séparée à ce sujet.

## PERSONNALISATION DU RÉGLAGE DE LA PROFONDEUR DE L’AFFIC

La regolazione della profondità del display può essere cambiata da 0" (0mm) di default a 1/2" (12.5mm) o 1" (25mm).

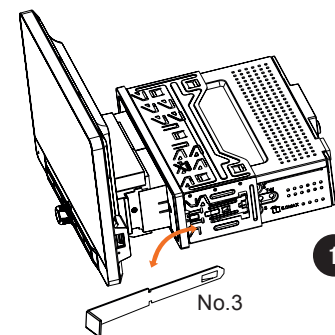


#### A

Condition préalable : Le X-127 est désengagé du tableau de bord 1-DIN et aucune cage de montage n’est installée.

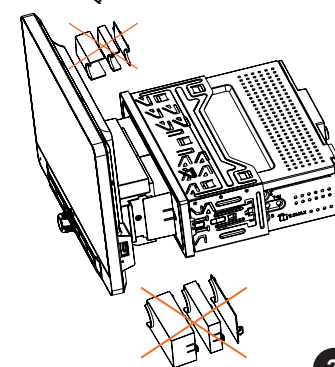
Pour déverrouiller le dispositif du tableau de bord 1DIN, faites pivoter le groupe d’affichage à 90° en tenant le groupe de panneaux avec les deux mains et en le faisant tourner de 90° dans le sens des aiguilles d’une montre ou dans le sens inverse. Desserrez le support de garniture du corps principal et insérez les clés de déverrouillage du dispositif n° 3 dans l’espace correspondant à gauche et à droite. 3 dans l’espace correspondant sur les côtés gauche et droit (au centre, entre le corps principal et le support de montage 1Din - voir l’image). Les clés de déverrouillage doivent être insérées aussi profondément que possible jusqu’à ce que la pince du support de montage soit désengagée. Retirez le X-127 si les pinces du support de montage sont désengagées.

## PERSONNALISATION ET AFFICHAGE RÉGLAGE DE LA PROFONDEUR



#### Step 1:

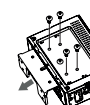
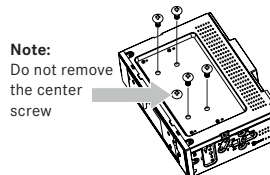
Remove the cover No.14 of the adjustment mechanism



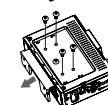
#### Step 2:

Remove the 4 outer top screws and leave the center screw fastened. Gently pull the display-mounting-bracket by pulling on the display panel from the chassis to the desired 1/2" or 1" position. To lock it in place, fasten the 4 outer top screws (see figure).

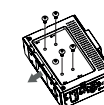
Note:  
Do not remove  
the center  
screw



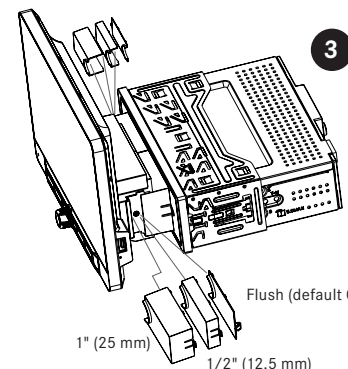
1" (25 mm)



1/2" (12.5 mm)



Flush (default 0 mm)

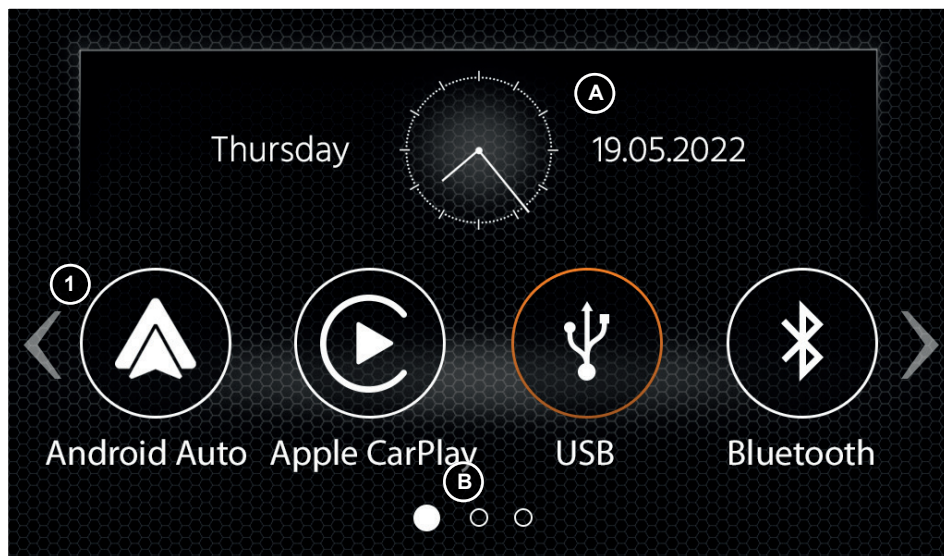


#### Step 3:

Reinstall or install the X-127 to 1DIN dash board (see separate chapter). Installation process is same as default but other covers for the adjustment mechanism is required at the end.

1" (25 mm)

1/2" (12.5 mm)



Boutons de commande et écran MENU PRINCIPAL

- A Heure et date.
- B Indicateur de la page.

- 1. Icône Source Appuyez pour accéder à la source sélectionnée.

Pour parcourir les différentes icônes Source, balayez vers la gauche ou la droite. Vous pouvez également appuyer sur les flèches pour parcourir les différentes pages. Pour revenir à cet écran, vous pouvez soit appuyer sur la touche tactile ACCUEIL soit appuyer sur la flèche Retour dans le coin en haut à gauche dans chacune des sources.

L'appareil XZENT est pré-configuré pour fonctionner avec une interface IR-Stalk qui n'est PAS incluse dans l'ensemble.

Alternativement, une commande au volant analogique existante peut être connectée à l'interface XZENT Analogue Key (Key1 / Key2 / GND).

Le X-127 a 2 modes différents, MODE-2 (par défaut pour les valeurs ohmiques élevées) ou MODE-1 (pour les valeurs ohmiques basses) pour supporter différentes gammes d'ohms. Les gammes d'ohms de chaque mode ne peuvent pas être mélangées pour prendre en charge les CFC qui ont des valeurs d'ohms basses et hautes mélangées.

MODE 2 (BASÉ SUR DES OHMS ÉLEVÉS)



Boutons de commande :

- 1. Passer suivant : Ce bouton suit le fonctionnement de l'interface Utilisateur graphique (GUI) de la source sonore active.
- 2. CAM/Voix : appuyez sur ce bouton pour activer la source CAM. Appuyez à nouveau pour fermer la source CAM. Appuyez et maintenez enfoncé pour activer la commande vocale CarPlay ou Google Andorid Auto.
- 3. Passer dernier : ce bouton suit le fonctionnement de la GUI de la source audio active.
- 4 . Vol+ : appuyez pour augmenter le niveau sonore de la source audio active.
- 5. Coupure son/Décrocher/Raccrocher : Si aucun appel n'est en cours, appuyez pour couper le son ou remettre le son de toutes les sources audio. Pendant un appel entrant (sonnerie), appuyez pour décrocher. Pendant un appel en cours, appuyez pour raccrocher.
- 6. Vol- : appuyez pour diminuer le niveau sonore de la source audio active.

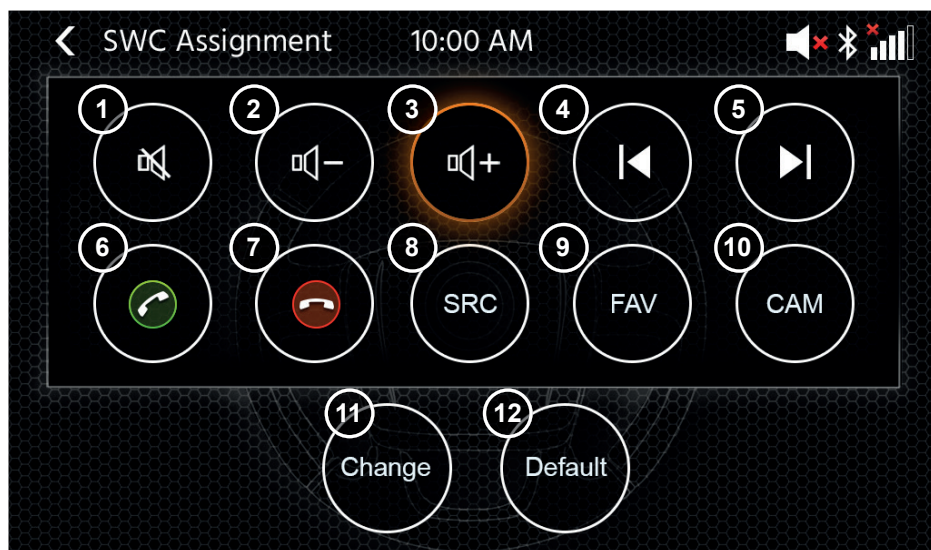
A : Vous pouvez personnaliser les boutons de votre système SWC en fonction de vos préférences en plaçant des boutons standard ou d'autres boutons sur votre SWC. La procédure à suivre est expliquée à la fin de ce chapitre.

Boutons autres :

- A1. Fonction alternative SRC/Voice: Appuyez sur cette touche pour sélectionner une source différente via la mise en surbrillance du menu principal. ou maintenez-la enfoncée pour activer la commande vocale CarPlay ou Google Andorid Auto.
- A2. Fonction alternative NAV/voice: Appuyez sur pour invoquer la fonction FAV assignée à partir de la configuration ou appuyez sur pour démarrer la navigation native (pas pour le X-127), appuyez et maintenez pour activer la commande vocale CarPlay ou Google Andorid Auto.

B : Ce bouton réinitialise toute la configuration personnalisée sur le système SWC et restaure tous les paramètres d'usine par défaut.

## MODE 1 (BASÉ SUR LES FAIBLES OHMS) :



### Fonctions des touches et touches de commande possibles

1. Mute : appuyez brièvement pour couper la sortie audio de XZENT. Appuyez à nouveau pour annuler la fonction de sourdine.
2. Vol- Appuyez brièvement pour réduire le volume du canal audio actif (media vol, voix, etc.).
3. Vol+ appuyez brièvement pour augmenter le volume du canal audio actif (vol. média, voix, etc.).
4. Sauter en arrière: appuyez brièvement sur cette touche lorsque la source média DAB, USB, FM, etc. est active pour effectuer la même opération. Pour effectuer la même opération avec les boutons de l'écran tactile.
5. Sauter l'appui court suivant jusqu'à lorsque la source média DAB, USB, FM, etc. est active pour effectuer la même opération sur la touche de l'écran tactile est active pour effectuer la même opération sur les boutons de l'écran tactile.
6. Pickup Appui court sur pour accepter un appel entrant.
7. Raccrocher Appuyez brièvement sur cette touche pour mettre fin à l'appel en cours.
8. SRC Appuyez sur cette touche pour sélectionner une autre source via le menu principal.
9. FAV appuyez brièvement pour exécuter la fonction FAV assignée dans les paramètres du dispositif (voir chapitre Réglages de l'appareil).
10. CAM pression courte pour ouvrir la source de la caméra. Appuyez à nouveau pour la fermer.
11. Change Appui court sur pour supprimer l'affectation actuelle des boutons du volant et la réaffecter (voir chapitre suivant).
12. Défaut appui court pour charger les valeurs par défaut du mode 1.

### Processus de (ré)attribution de SWC:

Le processus est similaire aux deux modes de CFC et ne diffère que par d'autres boutons standard et alternatifs. Le fonctionnement des boutons standard et alternatifs de

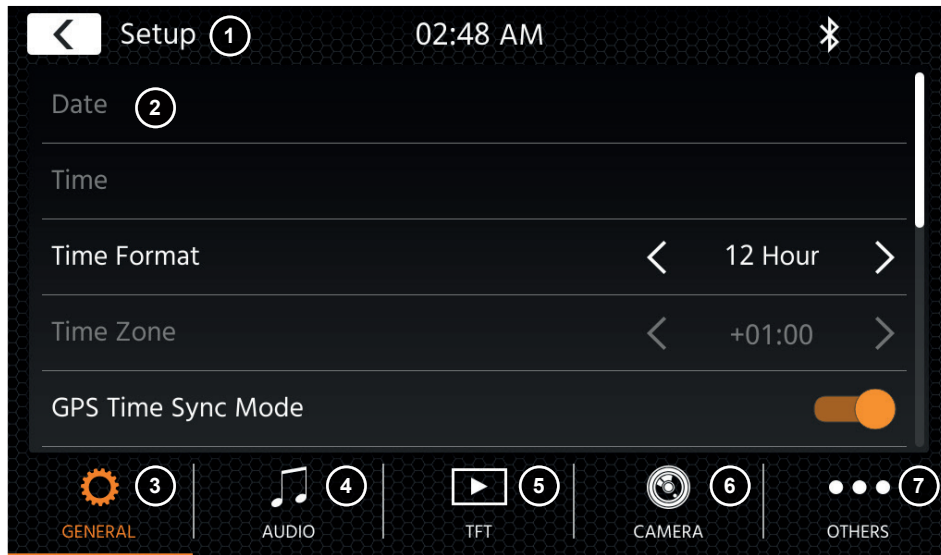
Les fonctions des boutons standard et alternatifs sont expliquées au début de ce chapitre pour chaque mode. Veuillez noter que ce mode n'est PAS destiné au mode d'interface IR-stalk. Appuyez sur le bouton «Change» pour commencer à réassigner les fonctions à votre convenance. Le système efface tous les boutons du volant et marque le bouton SWC en haut à gauche qui doit être attribué en premier. Vous devez attribuer tous les

Vous devez attribuer tous les boutons effacés un par un, du haut à gauche vers le bas, puis le côté droit de haut en bas. Le bouton actuel qui doit être affecté à une fonction sera mis en évidence pour vous. Exemple: Pour assigner une fonction, sélectionnez une icône de fonction en la touchant du milieu (par exemple SRC / voix). Après avoir marqué la fonction souhaitée (dans cet exemple SRC / voix), appuyez sur le bouton SWC correspondant (dans cet exemple en haut à gauche). Le système va alors griser la touche SRC / voix au milieu et placer la fonction SRC / voix sur la touche SWC en haut à gauche. Plus tard, vous pourrez déclencher la fonction SRC / voix en appuyant sur l'icône SWC en haut à gauche (au lieu de la fonction MUTE par défaut). Une fois le premier bouton assigné, le système allumera le prochain bouton à être assigné par une fonction encore disponible (non grisée) du milieu. Une fois que tous les boutons du SWC ont été définis, vous pouvez fermer l'affectation du SWC et utiliser la nouvelle configuration à partir de maintenant. Pour revenir aux valeurs par défaut, appuyez sur le bouton «Default». Les fonctions reprennent alors leurs valeurs standard.

### Remarque:

Les deux modes de CFC résistifs à faible ou à forte valeur ohmique ne peuvent fonctionner que dans une plage spécifique. Si un véhicule possède une combinaison de boutons des deux modes, tous les boutons SWC ne peuvent pas être pris en charge





## Boutons de commande :

1. Retour Appuyez pour revenir à l'écran d'accueil.
2. Zone Liste La zone Liste présentée dépend de la catégorie sélectionnée en cours. Pour voir les autres paramètres, vous pouvez faire défiler/balayer la liste vers le haut et le bas ou sélectionner une autre catégorie dans la partie inférieure.
3. Généralités Contient des paramètres généraux comme la langue, la date et heure, l'assignation de la touche FAV.
  - 3(a) Langue système : Appuyez sur les flèches pour choisir la langue.
  - 3(b) Mode Sync heure (DAB+) : Appuyez sur l'interrupteur pour activer/désactiver le paramètre.
  - 3(c) Appui court FAV : Appuyez sur les flèches pour assigner une autre fonction.
  - 3(d) Appui long FAV : Appuyez sur les flèches pour assigner une autre fonction.
  - 3(e) Bip : Appuyez sur l'interrupteur pour activer/désactiver le paramètre (activer/désactiver les bips à l'enfoncement des touches).
  - 3(f) Microphone : Appuyez sur la flèche pour changer le microphone sélectionné.
  - 3(g) Fond d'écran : Appuyez pour sélectionner un autre fond d'écran.
  - 3(h) Éclairage des touches : appuyez pour changer l'éclairage de la couleur des touches
  - 3(i) Date : Appuyez pour régler la date manuellement (uniquement possible si le mode Sync est désactivé).
  - 3(j) Heure : Appuyez pour régler l'heure manuellement (uniquement possible si le mode Sync est désactivé).
  - 3(k) Fuseau horaire : Appuyez pour paramétrer le fuseau horaire manuellement.
  - 3(l) Format de l'heure : Appuyez sur les flèches pour modifier le format 12/24h.
  - 3(m) Connectivité Apple : appuyez pour changer de mode
4. Audio Contient les paramètres permettant de régler l'audio et le son.
  - 4(a) Balance : Appuyez sur les flèches pour décaler le centre vers la gauche ou la droite.
  - 4(b) Fader : Appuyez sur les flèches pour décaler le centre vers l'avant ou l'arrière.
  - 4(c) Égaliseur : Appuyez pour ouvrir l'égaliseur (EQ). Vous pouvez sélectionner différents pré-réglages pour l'EQ ou modifier manuellement les bandes de fréquences selon vos préférences.

Balance et Fader peuvent également être réglés de façon optique ou le filtre passe-bas, le subwoofer ou les basses peuvent être réglés.

4(d) Basses : Appuyez pour activer/désactiver les basses.

4(e) Puissance Subwoofer : Appuyez pour activer/désactiver la puissance du subwoofer.

4(f) Gain Subwoofer : Appuyez sur la flèche pour modifier le gain du subwoofer si la puissance Subwoofer est activée.

4(g) Volume au démarrage : Appuyez sur la touche Plus. Ici, vous pouvez modifier de façon individuelle le volume au démarrage de toutes les sources disponibles. Vous pouvez décider d'appliquer le dernier niveau sonore utilisé ou définir un niveau sonore fixe au démarrage.

## 5. TFT

Ici, vous pouvez régler les paramètres de l'écran, le mode Luminosité ou les valeurs de la luminosité, par exemple.

5(a) Luminosité TFT diurne : Appuyez sur les flèches pour définir la valeur pour le mode diurne.

5(b) Luminosité TFT nocturne : Appuyez sur les flèches pour définir la valeur du mode nocturne.

5(c) Mode Assombrissement : Appuyez sur les flèches pour paramétrer la valeur. Auto : la luminosité est automatiquement ajustée à l'allumage des phares du véhicule (nuit). Jour : la luminosité est en permanence en mode diurne. Nuit : la luminosité est en permanence en mode nocturne.

Jour : la luminosité est en permanence en mode diurne.

Nuit : la luminosité est en permanence en mode nocturne.

5(d) Veille automatique de l'écran tactile : Après avoir atteint le délai d'inactivité défini, l'écran s'éteint lorsqu'il n'est pas utilisé (l'audio continue en arrière-plan).

## 6. Caméra

Vous permet de régler les paramètres de la caméra de recul connectée.

6(a) Caméra de recul : Appuyez sur les flèches pour régler la valeur.

Cam1 : Utilise l'entrée vidéo Cam1

Cam2 : Utilise l'entrée vidéo Cam2

Cam1 + Cam2 : Utilise la vidéo Cam1 en marche arrière et repasse automatiquement sur Cam2 après un délai quand la marche arrière est quittée.

6(b) Coupure sonore caméra de recul : Appuyez pour modifier la valeur (coupure, sourdine, désactivé)

6(c) Délai extinction caméra de recul : Appuyez sur les flèches pour modifier le délai après lequel l'écran de la caméra se ferme automatiquement après avoir quitté la marche arrière.

6(d) Image de la caméra : Appuyez sur les flèches pour régler la valeur (normale ou mise en miroir horizontale).

6(e) Quadrillage Caméra 1 : Appuyez pour activer/désactiver le quadrillage de la caméra 1. Dans la source Caméra, vous pouvez régler la position des lignes si la fonction est activée.

6(f) Quadrillage Caméra 2 : Appuyez pour activer/désactiver le quadrillage de la caméra 2. Dans la source Caméra, vous pouvez régler la position des lignes si la fonction est activée

## 7. Autres

C'est ici que vous pouvez trouver les informations sur la version du logiciel de l'appareil et le chargement en usine.

7(a) Version du logiciel : Appuyez sur la touche Plus pour afficher la version du logiciel du système de l'appareil.

7(b) Installer le logiciel : Appuyez sur la touche Plus pour lancer l'installation du logiciel à partir de la prise USB-1. Si aucun fichier n'est trouvé, les boutons permettant l'installation ne sont pas activés.

7(c) Paramètres d'usine par défaut : Appuyez sur la touche Plus et confirmez pour effectuer une réinitialisation aux paramètres d'usine.

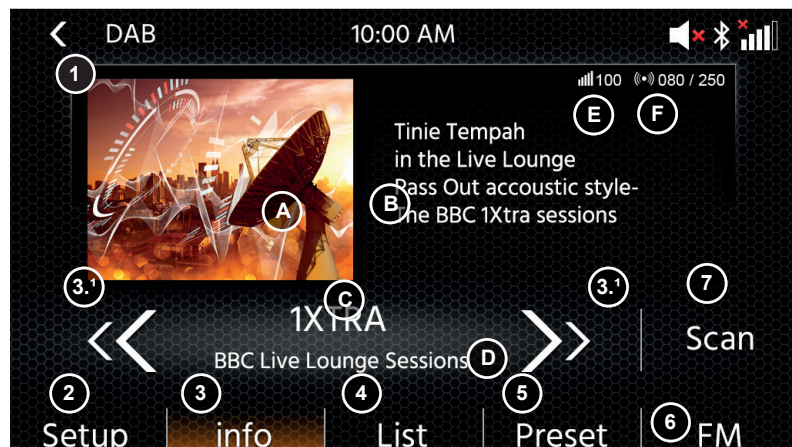
7(d) Assignation SWC : Appuyez pour ouvrir l'écran d'assignation SWC pour le mode Touche analogique (ne concerne pas le mode Interface IR-Stalk)

7(e) Licence Open source : appuyez pour voir le texte de la licence.

7(f) Legal : Appuyez pour voir les conseils.

Vous pouvez accéder à la source DAB entre autre au moyen de la touche tactile DAB sur le panneau avant ou grâce à l'icône Source de l'écran d'accueil. Vous pouvez également passer directement de la source FM à la source DAB grâce à la touche DAB située en bas à droite dans la source FM.

Grâce à la source DAB, vous pouvez profiter des services de radio numérique enrichis rendus possibles grâce à la nouvelle norme DAB+. Dans la partie basse, vous pouvez modifier la catégorie, ce qui met automatiquement à jour la partie principale de la source en conséquence.



#### Boutons de commande

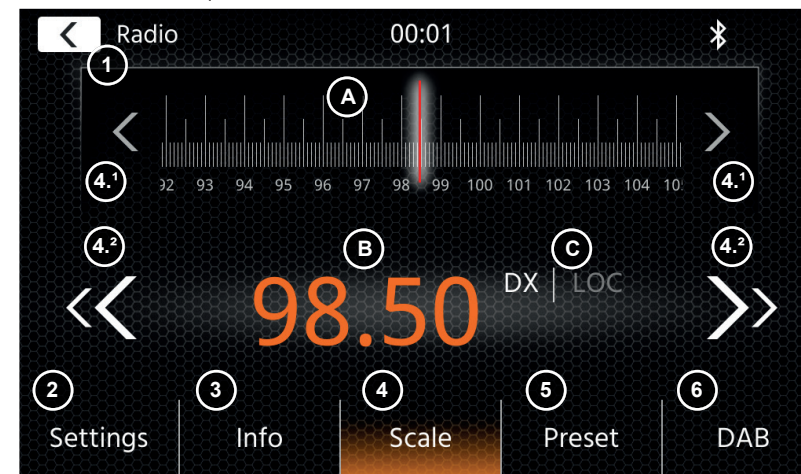
1. Retour Appuyez pour revenir à l'écran d'accueil.
2. Paramètres
  - 2(a) Réinitialisation : appuyez sur cette touche pour vider la liste et lancer un nouveau balayage.
  - 2 b) Cofort Scan : appuyez sur cette touche pour activer/désactiver ComfortScan.
  - 2(c) Alimentation antenne : Appuyez sur l'interrupteur pour activer/désactiver l'alimentation de 12 V de votre antenne DAB.
  - 2(d) Microprogramme DAB : Affiche la version actuelle du microprogramme DAB.
3. Infos Cet écran vous permet de voir le logo, les diaporamas et le texte diffusés par la station en cours.
  - 3.1 Appuyez sur les flèches pour modifier la station du groupe actuellement sélectionné. Maintenez enfoncées les flèches pour modifier le groupe possible suivant. La première station du nouveau groupe est automatiquement diffusée.
  - 3 (A) Réserve pour le diaporama ou images reçues du diaporama MOT diffusés par la station en cours.
  - 3 (B) Texte DLS ; 3(C) Étiquette Service / nom de la station ;
  - 3 (D) Étiquette Groupe
  - 3 (E) Qualité du signal de la station sélectionnée.
  - 3 (F) Comptage de la liste des stations / stations max
4. Liste L'écran Liste vous permet de voir tous les groupes reçus et il est actualisé régulièrement. Vous pouvez sélectionner un groupe en tapant dessus. Les stations qu'il contient sont affichées et vous pouvez directement appuyer dessus pour les écouter.
5. Préréglage Cet écran affiche les boutons de préréglage qui fonctionnent comme un bouton de sélection rapide ou un bouton favori. Pour sauvegarder la station en cours sur un bouton de préréglage, maintenez le bouton enfoncé jusqu'à ce qu'il soit mis à jour avec les informations de la station. Appuyez sur le bouton pour passer directement à la source radio FM.
6. FM Appuyez sur cette touche pour rechercher de nouvelles stations et mettre à jour la liste des stations.
7. SCAN

#### Remarques :

Notez que certaines fonctionnalités dépendent de la station diffusée ou de la qualité de la réception.

Vous pouvez accéder à la source FM entre autres depuis le panneau avant grâce à l'icône Source de l'écran d'accueil. Vous pouvez également passer directement de la source DAB à la source FM grâce à la touche FM située en bas à droite dans la source DAB.

Dans la partie basse, vous pouvez modifier la catégorie, ce qui met automatiquement à jour la partie principale de la source en conséquence.



#### Boutons de commande

1. Retour : Appuyez pour revenir à l'écran d'accueil.
2. Paramètres : Ouvre d'autres paramètres pour la source FM.
  - 2(a) Sauvegarde automatique : Appuyez sur Démarrer pour lancer une Recherche&Sauvegarde automatique pour les préréglages.
  - 2(b) Mode : Appuyez sur les flèches permuter entre les modes DX et LOC affiché à côté de la fréquence.
  - 2(c) AF : Appuyez sur l'interrupteur pour activer/désactiver la fonction AF (fréquences alternatives).
  - 2(d) TA : Appuyez sur l'interrupteur pour activer/désactiver la fonction TA (Alertes Trafic FM)
3. Infos Cet écran affiche le nom de station et le texte reçu de la part de la radio. Entre les boutons de recherche haut et bas (flèches), la fréquence est également affichée.
4. Échelle Appuyez sur les flèches pour lancer la recherche vers le haut et le bas de la station disponible suivante.
  - (A) Échelle des fréquences FM avec un repère sur la bande de fréquences parcourue.
  - (B) Fréquence actuelle définie.
  - (C) Mode FM en cours. Peut être modifié dans Paramètres FM.
- 4.1 Appuyez sur les flèches pour avancer/reculer par paliers de 0,1 MHz.
- 4.2 Appuyez sur les flèches pour lancer la recherche vers le haut ou le bas de la prochaine station disponible.
5. Préréglage Cet écran affiche les boutons de préréglage qui fonctionnent comme un bouton de sélection rapide ou un bouton favori. Pour sauvegarder la station en cours sur un bouton de préréglage, maintenez le bouton enfoncé jusqu'à ce qu'il soit mis à jour avec les informations de la station.
6. DAB Appuyez sur ce bouton pour directement passer à la source radio DAB.

#### Remarque :

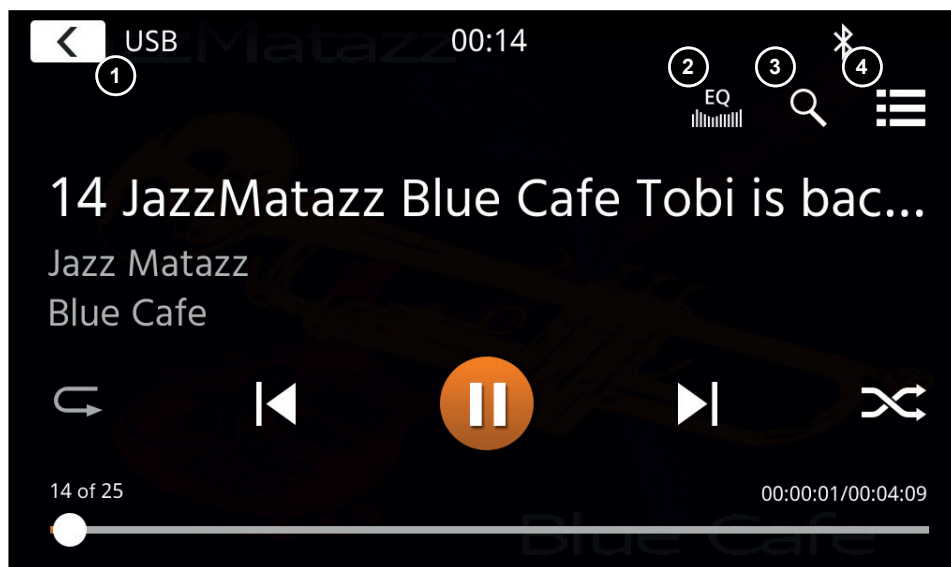
Cet appareil est équipé d'un tuner RDS. Le RDS est un système qui transmet des données au-dessus du signal radio FM. La disponibilité et le contenu des données RDS dépendent respectivement de la station émettrice et de la puissance de son signal. Le RDS peut par exemple émettre sur des fréquences alternatives, ce qui permet de changer de fréquence sans aucune intervention de la part de l'utilisateur.

La fonction AF doit être activée pour pouvoir utiliser les fonctionnalités RDS.

## SOURCE MUSIQUE USB/IPOD/BT (A/V)

Les sources USB et iPod sont accessibles, entre autres, grâce à l'icône de leur écran d'accueil et la musique en BT grâce à un téléphone connecté via la source Bluetooth, pour permettre d'écouter de la musique (BT, USB, iPod) ou de lire des vidéos (USB uniquement).

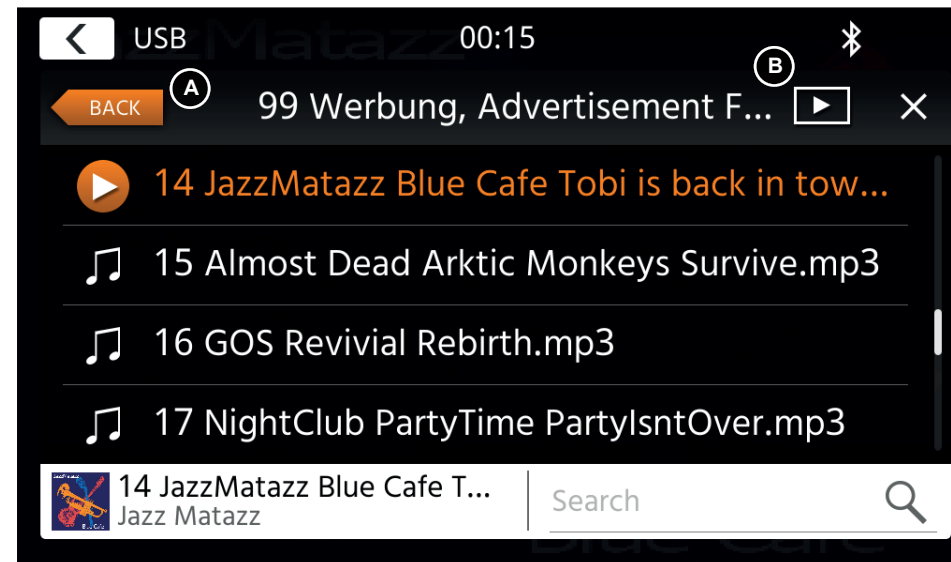
La lecture des fichiers est la même pour toutes les sources et elle peut être commandée par l'intermédiaire de l'UI du lecteur multimédia. Pour lire des vidéos en mode USB, vous devez remplacer le filtre standard dans l'écran Liste (4) par le type de fichier vidéo (B).



Sur cet écran principal, les commandes du lecteur multimédia s'affichent. Vous pouvez, comme toujours, utiliser les boutons Pause/Reprendre/Lecture ou Passer pour diffuser la piste suivante. Vous pouvez également activer les fonctions spéciales comme Répétition et Lecture aléatoire.

### Boutons de commande :

1. Retour Appuyez pour revenir à l'écran d'accueil.
2. EQ Appuyez pour accéder aux paramètres de l'égalisateur (voir le chapitre Paramètres de l'appareil).
3. Recherche Appuyez pour ouvrir l'écran Recherche (non disponible pour le Bluetooth).
4. Liste Appuyez pour accéder à l'écran Liste (non disponible pour le Bluetooth).



En mode Écran Liste (non disponible pour le Bluetooth), vous pouvez parcourir vos fichiers multimédias de la même manière que dans un liste de dossiers et de fichiers. Pour ouvrir les dossiers, appuyez dessus pour afficher leur contenu. Vous pouvez également appuyer directement sur un fichier pour en démarrer la lecture. Il est également affiché sur la dernière ligne avec une icône Lecture. Pour revenir d'un niveau en arrière, utilisez le bouton Retour (A) ou passez au type Vidéo (mode USB uniquement) en appuyant sur l'icône Filtre (B).

### Autres remarques concernant la lecture de vidéos :

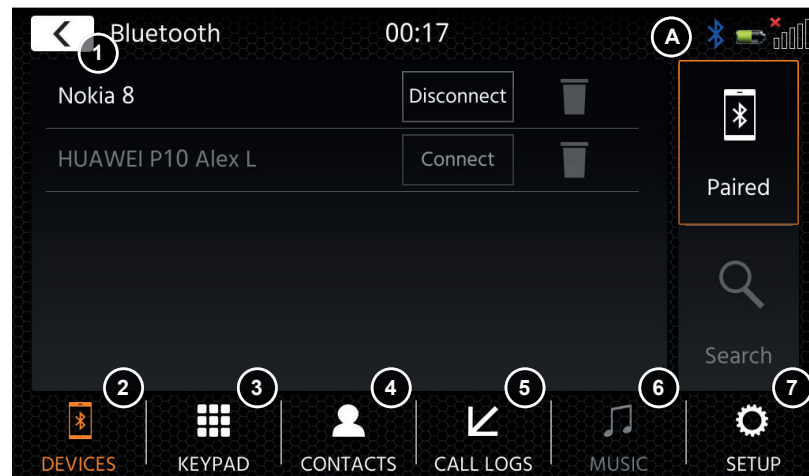
La lecture de vidéos n'est possible que si le frein à main est enclenché.

La lecture est faite en mode plein écran. Pour quitter le mode plein écran, appuyez simplement sur la zone tactile de l'écran de votre appareil.

## APPAIRAGE, CONNEXION, APPEL ET MUSIQUE EN BLUETOOTH

Lors de la première utilisation, la catégorie (2) est active et vous pouvez appairer un téléphone compatible grâce à la fonction Balayage/recherche. Veillez à ce que votre téléphone reste visible jusqu'à ce qu'il apparaisse dans la liste des résultats de la recherche. Pour procéder à l'appairage, appuyez sur la ligne contenant votre téléphone dans la liste et confirmez le code d'accès. Veillez également à autoriser l'accès aux contacts. Les téléphones actifs ou connectés automatiquement sont affichés la zone État (A) avec une icône Bluetooth actif, une icône Batterie et une icône Force du signal (si elles sont prises en charge).

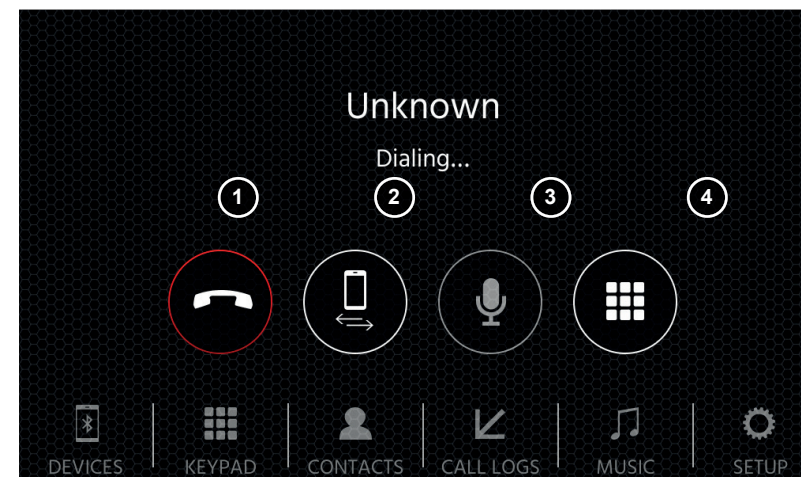
Dans la partie basse, vous pouvez choisir une autre catégorie, ce qui met automatiquement à jour la partie Écran principal.



### Boutons de commande

1. Retour Appuyez pour revenir à l'écran d'accueil.
2. Appareils Ici, vous pouvez gérer vos téléphones appairés (connexion/déconnexion manuelle, suppression) ou ajouter de nouveaux téléphones grâce à la fonction Recherche. Appuyez sur le bouton de connexion/déconnexion pour vous déconnecter manuellement et connecter un autre téléphone. Appuyez sur l'icône de la poubelle pour supprimer un téléphone appairé. Remarque : il n'est possible de connecter qu'un seul téléphone à la fois.
3. Clavier Appuyez pour ouvrir le pavé numérique du téléphone actif.
4. contacts Appuyez pour ouvrir la liste de contacts du téléphone actif. Vous pouvez effectuer une nouvelle synchronisation manuelle si tous les contacts ne sont pas affichés ou si de nouveaux contacts ont été ajoutés au téléphone. Vous pouvez faire défiler la liste ou utiliser la fonction Recherche pour rechercher un contact. Un contact peut être utilisé comme un dossier et vous pouvez appuyer dessus pour afficher ses numéros. Appuyez sur le numéro de ligne pour effectuer une tentative d'appel.
5. Journal des appels Utilisez le bouton orange Retour en haut à gauche de l'écran Liste pour remonter d'un niveau. Ici, vous accédez à des listes séparées pour les appels sortants, reçus/entrants ou manqués. Vous pouvez appuyer sur une ligne pour effectuer une tentative d'appel.
6. Musique Appuyez pour lancer la lecture de la musique en Bluetooth via A2DP. Remarque : Certains smartphones nécessitent que l'application de musique soit lancée d'abord. L'utilisation du lecteur Bluetooth est présentée dans le chapitre « Source Musique USB/iPod/ BT (A/V) »
7. Configuration Appuyez pour ouvrir les paramètres Bluetooth des options avancées comme Connexion automatique, Réponse automatique, paramètres Liste des contacts et Réglage Micro.
  - 6(a) Connexion automatique : Appuyez sur l'interrupteur pour activer/désactiver l'option Connexion automatique.
  - 6(b) Réponse automatique : Appuyez sur l'interrupteur pour activer/désactiver l'option Réponse automatique.
  - 6(c) Gain Micro : Appuyez sur les flèches pour modifier les valeurs.
  - 6(d) Classement des contacts : Appuyez sur les flèches pour modifier la valeur.

En cas d'appel entrant/sortant ou en cours, l'appareil passe automatiquement au mode Plein écran et il affiche le nom ou le numéro de contact (si disponible) ou le mot « inconnu » dans le cas d'un ID d'appelant non supprimé. En fonction du statut de l'appel (appel lancé, sonnerie, en cours de numérotation, en cours), vous pouvez raccrocher, rejeter, accepter/décrocher un appel (1) ; pendant les appels en cours, vous pouvez passer au mode Privé (2) ou sur les haut-parleurs de la voiture, couper le son du micro XZENT (3) ou ouvrir le clavier pour accéder aux options d'appel (4).



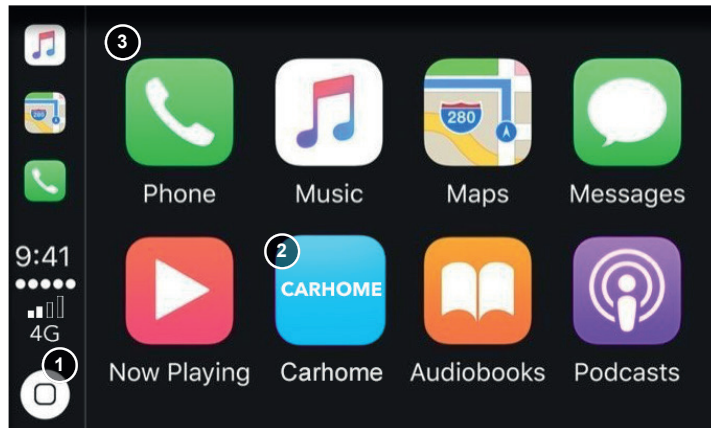
Grâce à Apple CarPlay, vous pouvez accéder aux applications compatibles et aux services en ligne de votre iPhone depuis votre voiture et les utiliser de façon intuitive avec l'écran de votre appareil ZENEC ou l'assistant vocal de Apple.

## PRÉPARATION :

- Raccordez l'iPhone compatible sur la prise USB-1 (gris) de l'appareil XZENT.
- Si l'appairage Bluetooth n'est pas automatique, connectez-vous manuellement.
- Déverrouillez votre iPhone.

## FONCTIONNEMENT INITIAL :

1. Pour la première utilisation, le véhicule doit être à l'arrêt et le frein à main doit être enclenché.
2. Appuyez sur l'icône CarPlay dans le menu principal de l'appareil XZENT pour choisir la source CarPlay. Une fois la première utilisation correctement effectuée, l'interface utilisateur CarPlay apparaît sur l'écran de l'appareil XZENT.



1. Appuyez pour afficher l'écran d'accueil CarPlay.
2. Appuyez pour ouvrir le menu principal XZENT.
3. Appuyez sur n'importe laquelle des icônes des applications pour lancer l'application en question.

**Remarque:** vous ne pouvez avoir qu'un seul guidage d'itinéraire actif. Si un guidage d'itinéraire est lancé avec CarPlay, la source de navigation native est interrompue afin d'éviter les messages vocaux de 2 systèmes de guidage d'itinéraire. La source de navigation n'est plus démarrée automatiquement et doit être démarrée manuellement lors de sa prochaine utilisation.

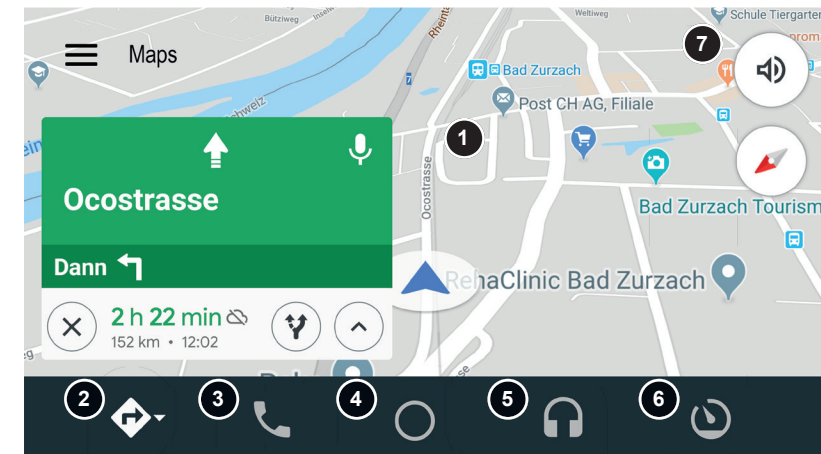
Google Android Auto vous permet d'accéder aux applications compatibles et aux services en ligne de votre smartphone Android dans votre voiture et de les commander de manière intuitive avec l'écran de votre appareil XZENT ou l'assistant vocal de Google.

## PRÉPARATION :

- Télécharger l'application Android Auto depuis Google Play Store.
- Connecter le smartphone Android avec le port USB AVANT de l'appareil XZENT.
- Une connexion Bluetooth sera établie automatiquement lors de la première connexion USB.

## FONCTIONNEMENT AU DÉMARRAGE :

1. Pour le fonctionnement au démarrage, le véhicule doit être à l'arrêt et le frein à main doit être actionné.
2. Appuyez sur l'icône Android Auto dans le menu principal de l'appareil XZENT pour choisir la source Android Auto.
3. Suivez le dialogue sur l'écran de votre smartphone pour installer Android Auto et configurer le comportement au démarrage. Il est possible de modifier le comportement au démarrage sélectionné dans la configuration des commandes par la suite.
4. Une fois le fonctionnement au démarrage exécuté avec succès, l'interface utilisateur Android Auto apparaît sur l'écran de l'appareil XZENT.



1. Interface utilisateur Android Auto.
2. Navigation.
3. Téléphonie.
4. Ouvrir l'interface utilisateur Android Auto.
5. Lecture multimédia.
6. Ouvrir le menu principal XZENT.
7. Activer la commande vocale Android Auto.

## Remarque :

- Android Auto peut ne pas être disponible sur tous les appareils et n'est pas disponible dans tous les pays et les régions.
- Pour utiliser Android Auto avec votre smartphone Android, Android 5.0 (Lollipop) ou une version plus récente du système d'exploitation Android doit être installé sur votre smartphone.
- Pour plus d'informations sur Android Auto, veuillez consulter les sites <https://www.android.com/auto/> et <https://support.google.com/androidauto#topic=6348027>

Le X-127 dispose de 2 entrées caméra individuelles. CAM1 et CAM2 AV IN se trouvent sur le câble AV 24-PIN (connecteur B).

L'appareil activera l'alimentation de la caméra via 12 VDC (PWR Cam1 12VDC ou PWR Cam2 12VDC au niveau du câble AV 24-PIN) pour permettre l'entrée d'une image de caméra à la fois. Ne connectez pas l'alimentation de la caméra à une alimentation permanente afin d'éviter la superposition des images de CAM1 et CAM2 et un fonctionnement continu.

Si le paramètre XZENT est réglé sur CAMERA>CAM1+CAM2, la source de la caméra est en mode double et vous pouvez appuyer sur le bouton CAM Switch pour changer l'image de CAM 1 à CAM2. Par défaut, XZENT est réglé sur CAMERA>CAM1.

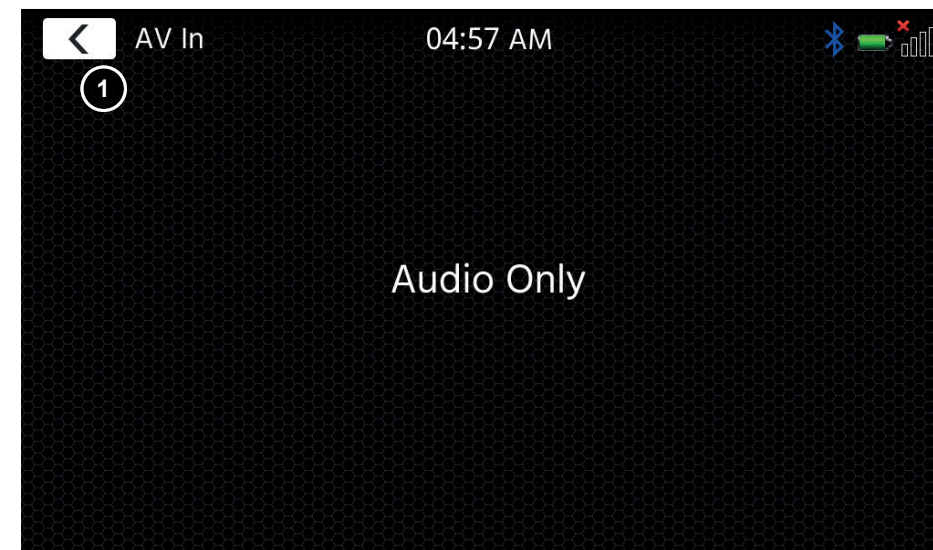
Chaque source de caméra a une couleur différente de lignes de caméra, qui peuvent être désactivées ou activées dans les paramètres principaux de XZENT.

Pour ajuster les lignes de caméra à vos besoins, activez la source CAM correspondante en appuyant sur l'icône CAM dans le menu principal ou passez la marche arrière (CAM 1). Lorsque l'image de la caméra est visible, appuyez sur la roue dentée pour accéder aux réglages de la caméra. Chaque source de caméra peut enregistrer un réglage individuel des lignes de caméra.

Il est possible d'accéder aux sources A/V-IN et HDMI entre autres grâce à l'icône de l'écran d'accueil. La source affiche l'entrée du signal A/V-IN ou HDMI sur votre appareil XZENT. Il n'y a ici aucune action tactile spécifique possible en dehors du retour vers l'écran d'accueil.

#### Boutons de commande

1. Retour Appuyez pour revenir à l'écran d'accueil.



# CONDITIONS DE LA GARANTIE

## Quels sont les produits couverts par la garantie limitée de XZENT ?

La garantie limitée (la « Garantie ») concerne les produits XZENT achetés auprès d'un revendeur agréé par des clients finaux au sein de l'Espace économique européen ou en Suisse (« Champ d'application territorial »).

## Quelle est la durée de validité de la garantie XZENT ?

Dans le cadre de la présente garantie, XZENT garantit, pour une durée de 2 ans, que le produit est exempt de tout défaut de pièce ou de main d'œuvre au moment de l'achat initial. Cette période de deux ans commence à la date initiale de l'achat, conformément à la facture d'origine, ou à la date de réception. Si vous avez acheté le produit en tant que consommateur et que le défaut est identifié dans les six premiers mois qui suivent l'achat initial (voir ci-dessus), nous supposons que le défaut existait déjà au moment de l'achat.

## Qui peut prétendre à la garantie ?

XZENT accorde la garantie limitée aux personnes physiques uniquement, qui ont acheté le produit en question pour leur usage personnel essentiellement.

## Que couvre la garantie ?

XZENT garantit que le produit est exempt de tout défaut de pièce ou de main d'œuvre au moment de l'achat initial. XZENT n'offre cependant pas de garantie pour tous les défauts et tous les dommages possibles. La garantie ne couvre que les composants matériels de l'appareil, et en aucun cas le logiciel utilisé avec l'appareil, qu'il ait été fourni par XZENT ou par un tiers. La garantie ne couvre donc pas les cas suivants, en particulier :

- l'usure normale (sur les surfaces et les revêtements de protection par exemple) ;
- les dommages superficiels, tels que les éraflures, les bosses et le plastique endommagé, les prises et connecteurs usés ou mécaniquement défectueuses ;
- l'utilisation incorrecte, y compris toute manipulation entraînant des dommages physiques ou superficiels, comme des défauts esthétiques sur le produit par exemple ;
- les dommages provoqués par le raccordement ou l'utilisation à des fins autres que celles spécifiées ou par le non-respect des instructions d'utilisation et/ou d'installation du modèle en question ;
- l'installation ou l'utilisation du produit ne respectant pas les normes techniques en vigueur ou les règles de sécurité du pays dans lequel le produit est installé ou utilisé ;
- les dommages provoqués par une tentative de réparation non autorisée ou une tentative de réparation par une personne autre qu'un prestataire de services XZENT agréé ;
- les dommages provoqués par des modifications du produit non expressément autorisées par le fabricant ;
- les dommages provoqués par un code malveillant (« virus logiciels ») ou par l'utilisation d'un logiciel non fourni avec le produit ou qui a été mal installé ;
- l'utilisation de logiciels de fournisseurs tiers pour éditer, modifier, adapter ou étendre les composants logiciels autorisés de XZENT tels qu'ils sont exécutés sur le produit ;
- l'utilisation de logiciels de systèmes d'exploitation/de microprogrammes de fournisseurs tiers
- les dommages provoqués par des liquides ou des produits chimiques de quelque type que ce soit, et/ou par des températures, une humidité ou un taux d'humidité excessifs ;
- les accidents, les chutes ou les autres effets dus à des accélérations extrêmes ;
- les dommages provoqués par la foudre, les charges électrostatiques, une tension de service incorrecte, l'eau, le feu, un événement de force majeure, une mauvaise ventilation dont les raisons ne sont pas imputables à XZENT ;
- les dommages provoqués par l'utilisation de l'appareil en dehors des spécifications définies ;
- les dommages provoqués par l'utilisation du produit avec d'autres systèmes ou dispositifs, qui ne sont pas conçus pour être utilisés avec ce produit ;
- les réglages ou les modifications sans accord écrit préalable de la part de XZENT, y compris les mises à jour du produit allant au-delà des spécifications ou des caractéristiques mentionnées dans la notice d'utilisation ;
- des modifications du produit en vue de l'adapter aux normes techniques nationales ou locales ou aux normes de sécurité des pays pour lesquels le produit n'a pas été expressément conçu ou fabriqué ;
- l'utilisation de services ou de pièces de rechange n'étant pas produits ou distribués par XZENT ;
- l'utilisation du produit avec des accessoires non homologués pour être utilisés avec ce produit ;

De plus, XZENT ne garantit pas (expressément, implicitement, légalement ou autrement) la qualité, les performances, la fiabilité ou l'adéquation du produit à un usage particulier, sauf dans les cas décrits, ni le logiciel/microprogramme installé sur l'appareil au départ de l'usine.

Aucun service de garantie ne sera non plus accordé si le numéro de modèle/numéro de série/UUID/numéro de produit figurant sur le produit a été modifié, effacé, rendu illisible ou retiré. Il en va de même si le reçu ou la facture sont incomplets et/ou illisibles au moment de leur présentation.

## XZENT est-il responsable d'autres défauts ou dommages ?

XZENT réparera ou remplacera les produits, à condition qu'ils soient couverts par les conditions de la présente garantie. XZENT n'est pas responsable des pertes ou dommages matériels ou immatériels et notamment le prix payé pour le produit, le manque à gagner, la perte de revenus, de données, ou liés à la jouissance du produit ou des composants qui lui sont associés, découlant directement ou indirectement de la présente garantie ou autrement en relation avec les produits ou services. Ceci s'applique également aux pertes ou dommages liés à la détérioration ou à la défaillance opérationnelle du produit, ou des dispositifs qui lui sont associés, causés par des défauts ou par la non-disponibilité du produit pendant la période pendant laquelle il se trouve chez XZENT ou le partenaire de service de XZENT, ainsi qu'aux périodes d'arrêt et aux interruptions d'activité. En outre, XZENT n'accepte aucune responsabilité pour les risques liés à l'expédition - tels que la perte ou la destruction du produit - en relation avec l'exécution de la garantie.

Cette clause de non-responsabilité s'applique aux pertes liées à des dommages, quelle qu'en soit la base juridique, notamment sur la base de négligence, d'autres comportements fautifs (délits), d'une rupture de contrat, de garanties expresses ou implicites et de la responsabilité stricte (même si XZENT ou son partenaire de service a été informé de la possibilité que de tels dommages surviennent).

Si ces clauses de non-responsabilité sont interdites ou limitées en vertu de la loi applicable, XZENT limitera sa garantie et sa responsabilité dans la mesure permise par la réglementation applicable. Par exemple, certaines lois nationales interdisent l'exclusion ou la limitation des dommages et intérêts payables en cas de négligence, de faute lourde, d'acte répréhensible délibéré, de conduite trompeuse et d'autres actes de ce type. Pendant la durée de cette garantie, toute responsabilité ne pouvant être totalement exclue sera limitée dans la mesure permise par la loi applicable. La responsabilité au titre de cette garantie est limitée au prix payé pour le produit. Si les limites de responsabilité de la loi applicable sont plus élevées, ce sont ces limites qui seront appliquées.

## Comment puis-je exercer mes droits au titre de la garantie ?

Si vous souhaitez faire valoir vos droits au titre de cette garantie, veuillez contacter le revendeur agréé auprès duquel le produit a été acheté et lui présenter l'original du ticket de caisse ou de la facture. Ne renvoyez aucun produit à XZENT directement, sinon nos obligations de garantie ne peuvent être remplies. Vous trouverez le nom du concessionnaire ou du revendeur concerné sur votre preuve d'achat.

Les appareils défectueux envoyés par le revendeur agréé au centre de service après-vente doivent également être accompagnés de tout accessoire ayant un lien logique avec la panne constatée. Il s'agit, par exemple, de l'ensemble de navigation sur une carte SD ou microSD fournie ou achetée avec l'appareil, si des problèmes ou des erreurs de fonctionnement ont été observés en rapport avec la fonction de navigation.

## Comment XZENT respecte sa garantie ?

XZENT ou son partenaire de service choisira de réparer ou de remplacer le produit ou ses pièces défectueuses couvertes par la garantie, et prendra en charge les coûts de matériel et de main-d'œuvre pour ce faire.

Les réparations sous garantie doivent être effectuées par XZENT ou son partenaire de service autorisé. Les produits qui sont réparés ou remplacés peuvent contenir des composants et des dispositifs neufs et/ou remis à neuf. Les composants qui sont échangés deviennent la propriété de XZENT.

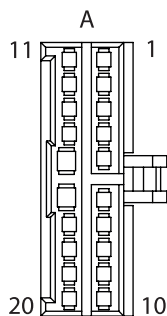
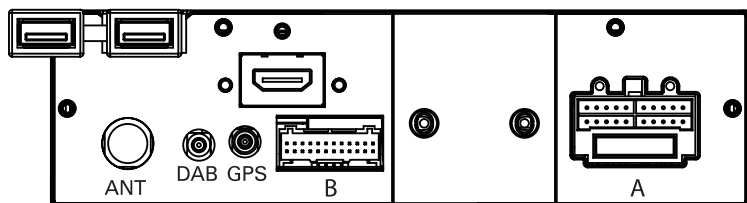
## Aurai-je des frais liés au service de garantie ?

XZENT prend en charge les frais de matériel et de main d'œuvre dans le cadre de ses services sous garantie. Le titulaire de la garantie est responsable des frais d'expédition et des risques liés à l'expédition (voir ci-dessus). S'il est avéré que le produit fonctionne correctement ou que la garantie ne peut pas s'appliquer parce que la période de garantie a expiré ou pour toute autre raison, XZENT ou son prestataire de services agréé sera en droit de facturer des frais d'enquête forfaitaires de 30,00 €.

## Cette garantie affecte-t-elle mes droits légaux ou contractuels ?

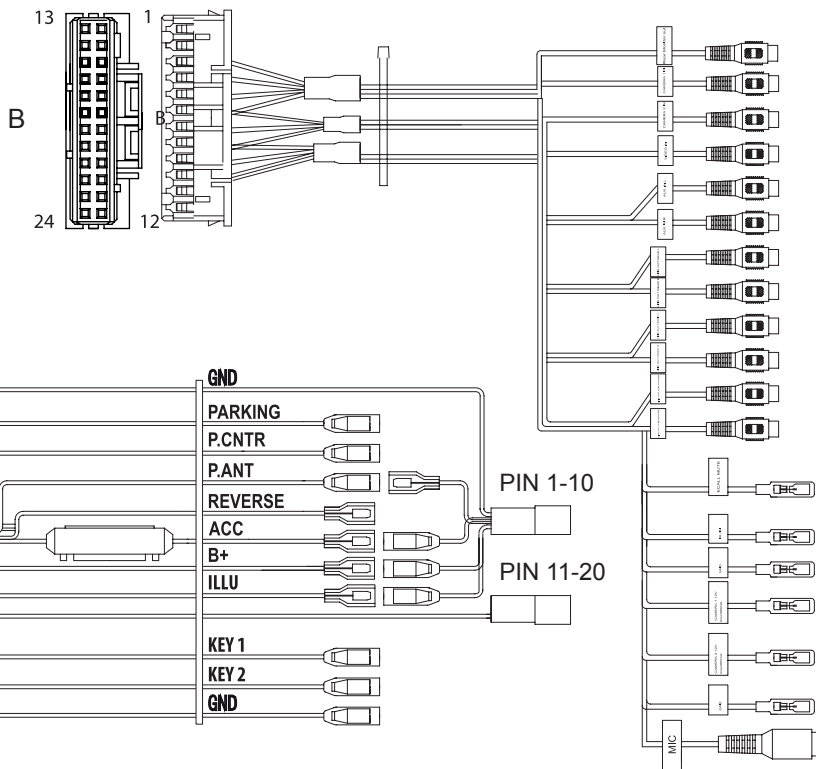
Cette garantie est proposée volontairement par XZENT, et elle ne fait, dans tous les cas, qu'étendre vos droits légaux. En tant que consommateur, vous continuez à bénéficier pleinement de vos droits légaux, comme la garantie légale. Cette garantie n'a également aucun effet sur vos droits contractuels à l'encontre du revendeur. Vous pouvez continuer à exercer pleinement ces droits.

SCHEMA DE RACCORDEMENT



PIN NO	Description	PIN NO	Description
1	FL+	11	FR+
2	FL-	12	FR-
3	RL+	13	RR+
4	RL-	14	RR-
5	NC	15	B+
6	NC	16	GND
7	ILLU	17	PARKING
8	ACC	18	P-CONT
9	REVERSE	19	P_ANT_CON
10	NC	20	NC

PIN NO	Description	PIN NO	Description
1	VIDEO OUT	13	NC
2	CAMERA 1/2, IN	14	AUX VIDEO
3	DGND	15	AUX IN (L)
4	AUX GND	16	AUX IN (R)
5	NC	17	RR LINE OUT
6	RL LINEOUT	18	FR LINE OUT
7	FL LINEOUT	19	SUB LINE OUT
8	AGND	20	CAMERA-2, 12V
9	IR IN	21	NC
10	NC	22	ECALL MUTE
11	AGND	23	CAMERA-1, 12V
12	MIC-	24	MIC+



Caractéristiques techniques

Alimentation électrique : +12VCC contre la masse du véhicule  
 Protection externe contre les courts-circuits internes : Fusible Mini-ANL 15A

Courants de service\*

État inactif off ACC : <5,0 mA  
 Lecture audio / vidéo (VOL 20) : ~ 1,40 A  
 Mode GPS avec guidage d'itinéraire actif avec CarPlay ou Google Android Auto : ~1,55 A, (VOL 20, pas de mode de charge)  
 ~2,0 A (avec charge)  
 Mode GPS avec guidage d'itinéraire actif avec CarPlay ou Google Android Auto : ~1,55 A, (VOL 40, pas de mode de charge),  
 ~4,1 A (avec charge)

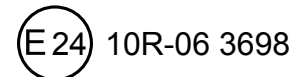
\* avec tension de service à 13.8 V et enceinte avant et arrière 4 ohms raccordées à l'appareil

Hereby, ACR Brändli + Vögeli AG declares that the type of radio equipment X-127 complies with the 2014/53/EU Directive. The full text of the EU Declaration of Conformity is available at the following Internet address: [www.xzent.com](http://www.xzent.com) (see link „Product Conformity Documents“ in the footer of the page).

Hiermit erklärt ACR Brändli + Vögeli AG, dass der Funkanlagentyp X-127 der Richtlinie 2014/53/EU entspricht. Der vollständige Text der EU-Konformitätserklärung ist unter der folgenden Internetadresse verfügbar: [www.xzent.com](http://www.xzent.com) (siehe Link „Dokumente zur Produktkonformität“ im Fussbereich).

ACR Brändli + Vögeli AG déclare par la présente que le type d'équipement radio X-127 est conforme à la directive 2014/53 / UE. Le texte complet de la déclaration de conformité UE est disponible à l'adresse Internet suivante: [www.xzent.com](http://www.xzent.com) (voir le lien „Documents de conformité du produit“ dans le pied de page à la page).

Con la presente ACR Brändli + Vögeli AG dichiara che il tipo di apparecchio radio X-127 è conforme alla Direttiva 2014/53 / UE. Il testo completo della Dichiarazione di conformità UE è disponibile al seguente indirizzo Internet: [www.xzent.com](http://www.xzent.com) (vedere il collegamento „Documenti di conformità del prodotto“ nella parte inferiore della pagina).





## INFORMAZIONI SUL PRESENTE MANUALE

Il presente manuale contiene importanti informazioni e avvertimenti circa il funzionamento di questa unità XZENT. Conservarlo in un luogo accessibile anche in futuro.

INFORMAZIONI SULLA SICUREZZA	81
SUPPORTO PER DISPOSITIVI, AGGIORNAMENTI DEL SOFTWARE E MANUTENZIONE	82
PANNELLO ANTERIORE	83
REGOLAZIONE DELLA POSIZIONE DEL DISPLAY	84-85
MENU PRINCIPALE	86
COMANDI SUL VOLANTE (modalità OE, interfaccia IR-Stalk)	87-89
IMPOSTAZIONI DEL DISPOSITIVO	90-91
SORGENTE RADIO DAB	92
SORGENTE RADIO FM	93
SORGENTE MUSICA (A/V) USB/iPod/BLUETOOTH	94-95
ABBINAMENTO, COLLEGAMENTO, CHIAMATA, MUSICA BLUETOOTH	96-97
SORGENTE APPLE CARPLAY	98
SORGENTE GOOGLE ANDROID AUTO	99
SOURCE CAMERA	100
SORGENTE A/V-IN, HDMI	101
CONDIZIONI DI GARANZIA	102-103
INFORMAZIONI AGGIUNTIVE, SPECIFICHE TECNICHE	104

## In generale

1. Le descrizioni e altri contenuti raffigurati nel presente manuale possono differire dal dispositivo reale.
  2. Le immagini riportate nel presente manuale e le schermate dell'interfaccia utente possono differire dall'unità reale.
  3. Le specifiche e la progettazione tecnica del presente modello sono necessariamente soggette a modifiche senza preavviso.
- Leggere per intero le presenti istruzioni. Prestare attenzione a tutti gli avvertimenti. Seguire le istruzioni.
  - Conservare il presente manuale. Chiunque utilizzi l'unità deve avere accesso al presente manuale.
  - Questa unità è progettata per funzionare su veicoli con batteria DC da 12v e terra a polo negativo.
  - Non utilizzare l'unità in modo diverso da quanto descritto nel presente manuale. L'inosservanza delle istruzioni contenute nel presente manuale comporta l'annullamento della garanzia.
  - Non smontare né modificare in alcun modo l'unità, in quanto ciò comporterebbe l'annullamento della garanzia. Non tentare di riparare o effettuare operazioni di manutenzione sull'unità di propria iniziativa, ma contattare un rivenditore XZENT autorizzato.
  - Utilizzare solo accessori originali progettati e costruiti per la presente unità, altrimenti si rischierebbe di danneggiarla. Installare l'unità seguendo le istruzioni di montaggio e utilizzare esclusivamente gli accessori di montaggio forniti. Le forze di accelerazione in caso di incidente possono essere enormi. In caso di incidente, i dispositivi montati in modo non corretto rappresentano un serio rischio per il conducente e i passeggeri.
  - Proteggere l'unità dall'acqua e da altri liquidi che possano penetrare al suo interno, perché potrebbero causare un corto circuito o un incendio.
  - Per evitare un corto circuito, non inserire né infilare mai alcun oggetto metallico (quali monete o strumenti in metallo) nell'unità.
  - Prima di sostituire un fusibile difettoso, tentare di individuare la causa del corto circuito. Prestare attenzione ai cavi di alimentazione! Se il corto circuito non è dovuto a un errore di alimentazione o dei cavi, è possibile sostituire il fusibile difettoso con uno nuovo di caratteristiche identiche. Se il corto circuito persiste, contattare un rivenditore autorizzato XZENT.
  - Quando si collega un qualunque altro dispositivo, leggere il manuale dell'utente per la compatibilità e le note sui collegamenti elettrici. Non tentare di collegare prodotti non compatibili fra loro.
  - A veicolo spento, non esaurire la batteria del veicolo utilizzando l'unità. Poiché l'unità è alimentata dalla batteria e questa si ricarica solo quando il motore è in funzione, è possibile che la batteria si scarichi a tal punto da non riuscire più ad accendere il motore.
  - Secondo la legislazione di diversi Stati europei, non è consentito viaggiare con il monitor acceso quando vengono visualizzate delle immagini in movimento all'interno della visuale del guidatore, poiché questi può essere distratto alla guida. Si consiglia di rispettare il codice della strada del Paese di appartenenza per non incorrere in multe in caso di incidente o perdere la copertura assicurativa. Prestare attenzione al volume audio tenuto all'interno dell'abitacolo poiché vige l'obbligo di avvertire i suoni esterni, come la sirena di un'auto della polizia.
  - Preservare l'unità da impatti violenti, perché potrebbero causare danni meccanici o elettrici all'unità.
  - In caso di problemi o domande durante l'installazione, contattare un rivenditore/importatore XZENT.

## SUPPORTO PER DISPOSITIVI, AGGIORNAMENTI DEL SOFTWARE E MANUTENZIONE

Gli aggiornamenti e le patch del software vengono forniti tramite aggiornamenti USB che possono essere scaricati dal nostro sito Web [www.xzent.com](http://www.xzent.com), dove è possibile trovare anche assistenza sui prodotti, domande frequenti (FAQ) e altre informazioni utili.

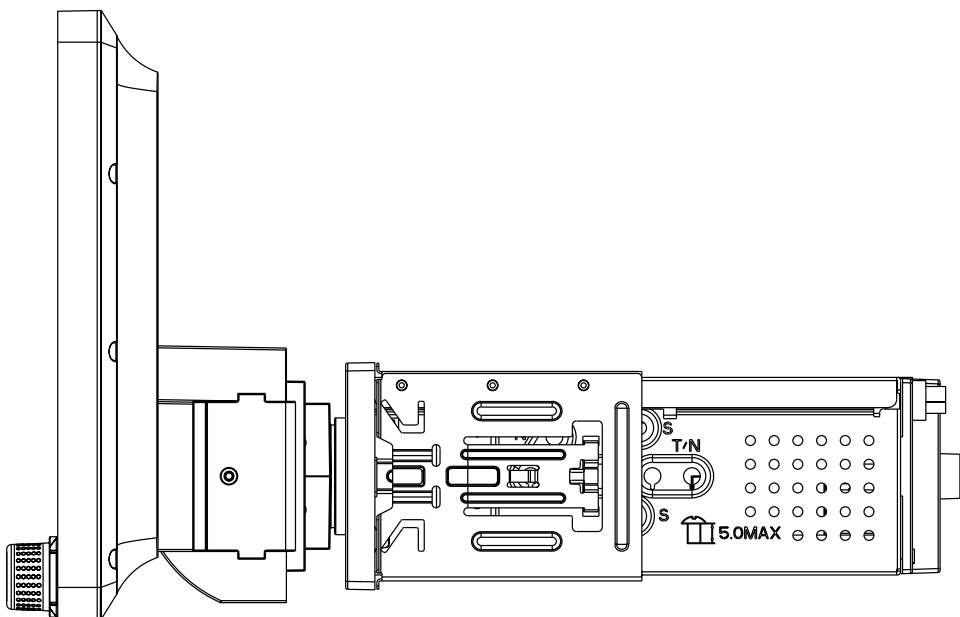
**ATTENZIONE:** cet appareil possède des ports USB spécifiques avec des fonctions spéciales (USB-1, gris) et (USB-2, noir). Les câbles d'extension se distinguent par texte-étiquette pour assurer une identification correcte.

Gli aggiornamenti del software forniti da XZENT DEVONO essere installati tramite "USB-1" (DA USARE PER L'AGGIORNAMENTO DEL SOFTWARE). Se l'installazione è stata eseguita da una parte terza senza un'adeguata segnalazione/identificazione del cavo di prolunga, provare ad aggiornare usando l'altra porta in caso di insuccesso.

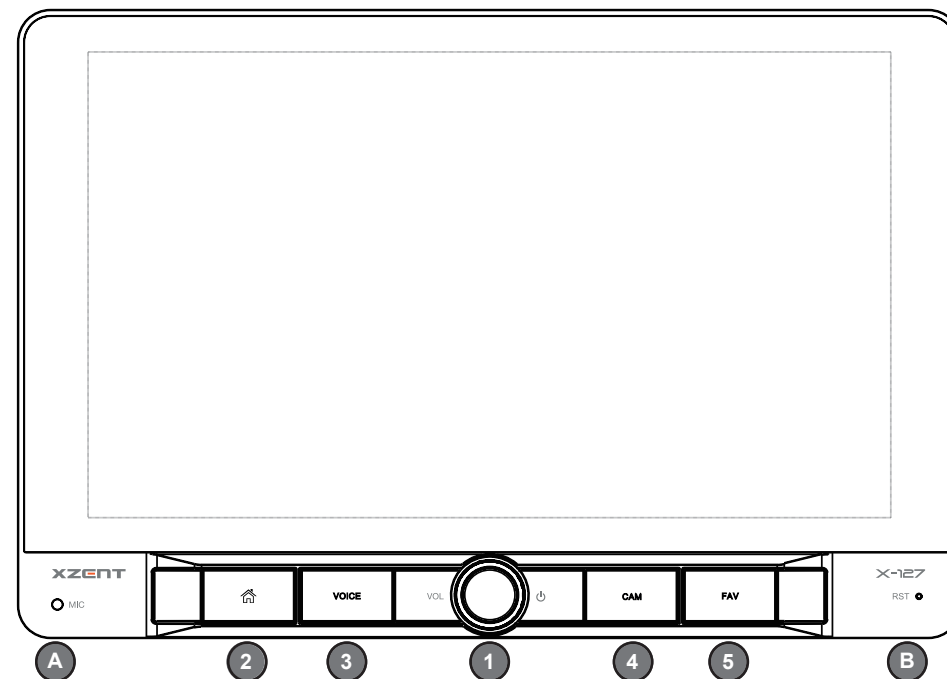
USB1 (gris) : Pour la connectivité Smartphone :

- Jeu de voiture Apple,
- Google Android Auto,
- Mises à jour de logiciel

USB2 (noir) : pour charger les téléphones ou lire les médias UBS.



## PANNELLO ANTERIORE



### Pulsanti di funzionamento:

1. VOL/POWER: Tenere premuto per entrare in modalità Standby (schermo spento, audio disattivato).  
Se l'unità è accesa, premere per disattivare l'audio.  
Se l'unità è spenta, premere per accenderla.  
Ruotare in senso orario per aumentare il volume dell'audio.  
Ruotare in senso anti-orario per diminuire il volume.
2. Home: Premere per tornare alla schermata iniziale.  
Quando nella schermata principale, premere per andare all'ultima sorgente (se disponibile).
3. VOICE: Premere e tenere premuto per aprire la pagina EQ.  
Appuyez pour démarrer la reconnaissance vocale (en utilisation avec CarPlay ou Google Android Auto).
4. CAM: Premere per visualizzare la telecamera predefinita, premere di nuovo per chiudere la visuale della telecamera.
5. FAV: Premere per eseguire la funzione a pressione rapida FAV nelle impostazioni del dispositivo (vedere capitolo delle impostazioni del dispositivo).  
Premere e tenere premuto per eseguire la funzione a pressione lunga FAV nelle impostazioni del dispositivo (vedere capitolo delle impostazioni del dispositivo).

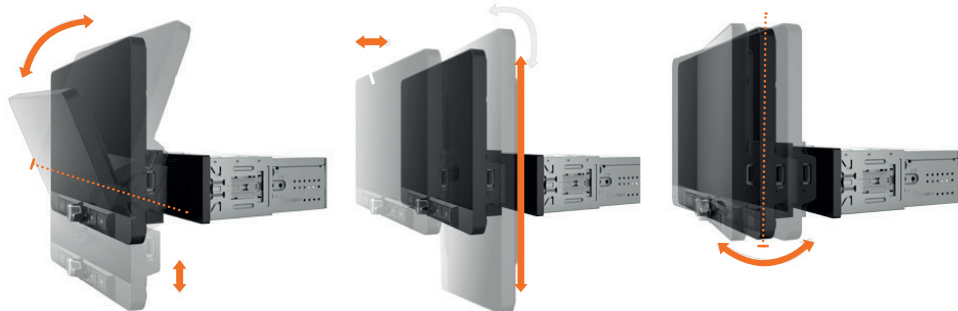
A. MIC

Slot per scheda microSD per il software di navigazione (facoltativo, non incluso in questo set).

B. RESET

Premere per effettuare il ripristino..

## REGOLAZIONE DELLA POSIZIONE DEL DISPLAY



### REGOLAZIONE DELLA POSIZIONE DEL DISPLAY (ALTEZZA VERTICALE, ANGOLO DI VISIONE ORIZZONTALE E INCLINAZIONE).

Il display dell'X-127 può essere regolato verticalmente in altezza, così come l'angolo di visione e l'inclinazione.

#### Nota:

- Le regolazioni del display non devono essere fatte durante la guida.
- Osservare le istruzioni di sicurezza del veicolo. Fate anche attenzione all'accessibilità dei pulsanti come le spie o le uscite dell'aria.
- Il display dovrebbe essere sempre tenuto con entrambe le mani „parallele“ (sinistra e destra centrate) per regolarlo.
- L'X-127 dovrebbe essere montato saldamente.

#### Regolazione dell'angolo di visualizzazione e inclinazione:

Afferra il display al centro dei bordi destro e sinistro e spingi con una mano e tira con l'altra per regolare l'angolo di visione. Per l'angolo di inclinazione, eseguire un movimento di inclinazione lontano o verso di sé con entrambe le mani.

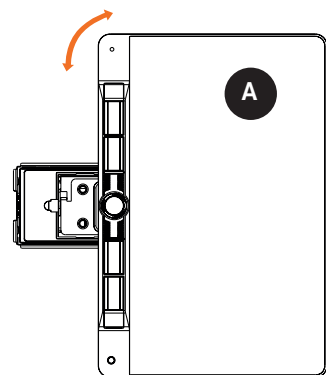
#### Regolazione dell'altezza:

Afferrare il centro del display ai bordi destro e sinistro e far scorrere il display verso l'alto o verso il basso.

La regolazione della profondità richiede uno smontaggio parziale e la regolazione del montaggio standard. Vedere la sezione separata per questo.

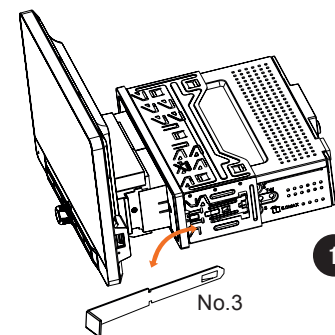
### PERSONALIZZAZIONE DELLA REGOLAZIONE DELLA PROFONDITÀ DEL DISPLAY

La regolazione della profondità del display può essere cambiata da 0" (0mm) di default a 1/2" (12.5mm) o 1" (25mm).

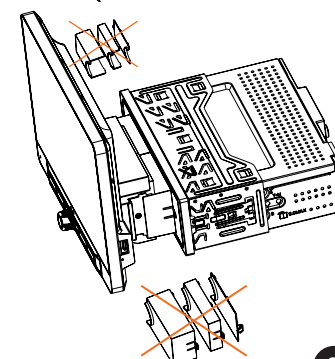


**A**  
Perquisizione: X-127 è sganciato dal cruscotto 1-DIN e nessuna gabbia di montaggio è montata. Per sbloccare il dispositivo dal cruscotto 1DIN, ruotare il gruppo display in una posizione di 90° tenendo il gruppo pannello con entrambe le mani e ruotandolo in senso orario o antiorario per 90°. Allentare la staffa di montaggio dal corpo principale e inserire le chiavi di sblocco del dispositivo n. 3 nello spazio corrispondente a sinistra e a destra (al centro, tra il corpo principale e la staffa di montaggio 1Din - vedi foto). Le chiavi di sblocco devono essere inserite in profondità fino a quando il morsetto della staffa di montaggio non è disinserito. Estrarre l'X-127 se i morsetti della staffa di montaggio sono sganciati.

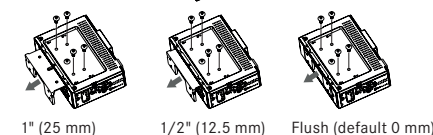
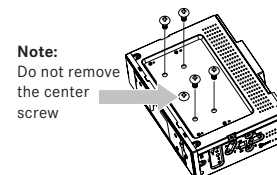
## PERSONNALISATION ET AFFICHAGE RÉGLAGE DE LA PROFONDEUR



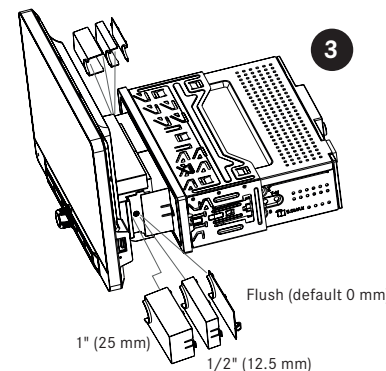
**Passo 1:**  
rimuovere il coperchio del meccanismo di regolazione



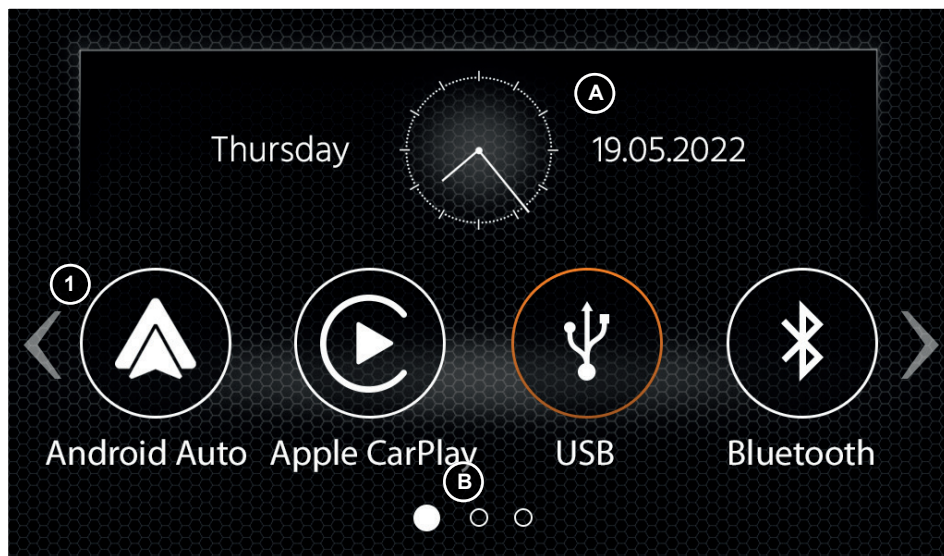
**Passo 2:**  
rimuovere le 4 viti superiori esterne e lasciare la vite centrale fissata. Tirare delicatamente la staffa di montaggio del display tirando il pannello del display dal telaio fino alla posizione desiderata di 1/2" o 1". Per bloccarlo in posizione, fissare le 4 viti superiori esterne (vedi figura).



Nelle immagini dimostrative il gruppo del pannello del display non è visibile per permettere una migliore visibilità delle viti superiori.



**Passo 3:**  
Reinstallare o installare l'X-127 al cruscotto 1-DIN (vedi capitolo separato). Il processo di installazione è uguale a quello di default, ma alla fine sono necessarie altre coperture per il meccanismo di regolazione.



MENU PRINCIPALE: Pulsanti di funzionamento e display

- A Orario e data.
- B Indicatore pagina.

1. Icona sorgente Premere per aprire la sorgente selezionata.

Per sfogliare le varie icone di sorgenti, scorrere a sinistra o destra. In alternativa è possibile premere i tasti freccia per sfogliare le varie pagine.

Per tornare a questa schermata, premere il pulsante del sensore frontale HOME o quello della freccia di ritorno in alto a sinistra di ogni sorgente.

Il dispositivo XZENT è preconfigurato per funzionare con un'interfaccia IR-Stalk che NON è inclusa nel set. In alternativa, è possibile collegare un comando analogico a volante esistente all'interfaccia a chiave analogica di XZENT (Key1 / Key2 / GND). X-127 dispone di due diverse modalità, MODE-2 (predefinita per valori ohm elevati) o MODE-1 (per valori ohm bassi) per supportare diversi intervalli ohm. Gli intervalli di ohm di ciascuna modalità non possono essere mescolati per supportare SWC con valori di ohm bassi e alti.

MODALITÀ 2 (BASATA SU ALTI OHM):



Pulsanti di funzionamento:

1. Passa al successivo: questo pulsante segue la funzione dell'interfaccia grafica utente (GUI) della sorgente audio attiva.
2. CAM/comandi vocali: premere per attivare la sorgente CAM. Premere nuovamente per chiudere la sorgente CAM. Tenere premuto per attivare il controllo vocale di CarPlay o Google Andorid Auto.
3. Passa all'ultimo: questo pulsante segue la funzione dell'interfaccia grafica utente (GUI) della sorgente audio attiva.
- 4 . Vol+: premere per aumentare il livello del volume del canale audio attivo.
5. Disattiva audio/ Accettazione chiamata/ termine chiamata: Quando non ci sono chiamate in corso, premere per disattivare l'audio o riattivare l'audio. Durante la chiamata in arrivo (squillo), premere per rispondere alla chiamata. Durante una chiamata in corso, premere per terminare la chiamata.
6. Vol-: premere per abbassare il livello del volume del canale audio attivo.

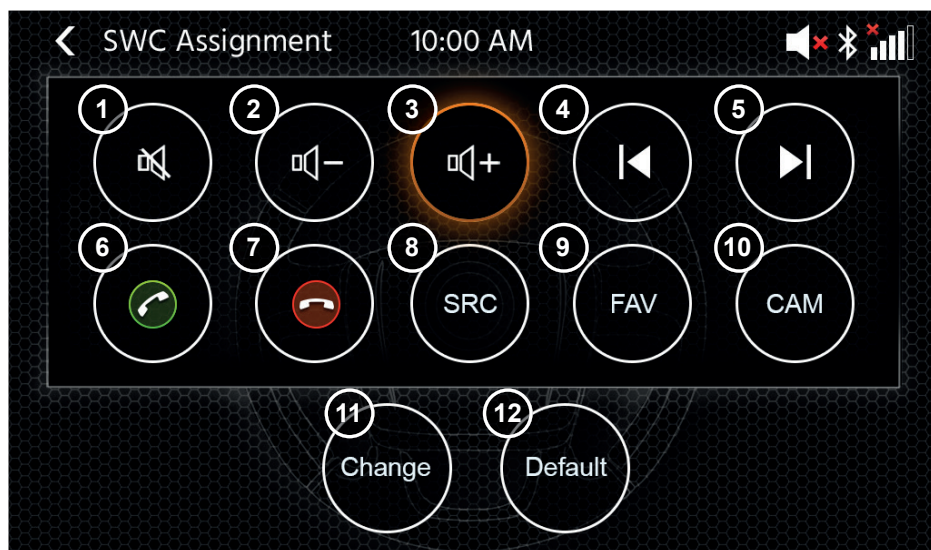
A: È possibile personalizzare i pulsanti del SWC secondo le proprie preferenze, posizionando pulsanti standard o alternativi sul proprio SWC. La procedura è spiegata al termine di questo capitolo.

Pulsanti alternativi:

- A1. Funzione alternativa SRC o SRC/Voce: Premere per selezionare una sorgente diversa tramite l'evidenziazione del menu principale o tenere premuto per attivare il controllo vocale di CarPlay o Google Andorid Auto.
- A2. Funzione alternativa FAV o NAV/voce: Premere per richiamare la funzione FAV assegnata dal Setup o premere per avviare la navigazione nativa (non per X-127), tenere premuto per attivare CarPlay o il controllo vocale di Google Andorid Auto.

B: Questo pulsante ripristinerà qualsiasi configurazione personalizzata del SWC alle impostazioni di fabbrica.

## MODALITÀ 1 (BASATA SU BASSI OHM):



### Pulsanti di funzionamento:

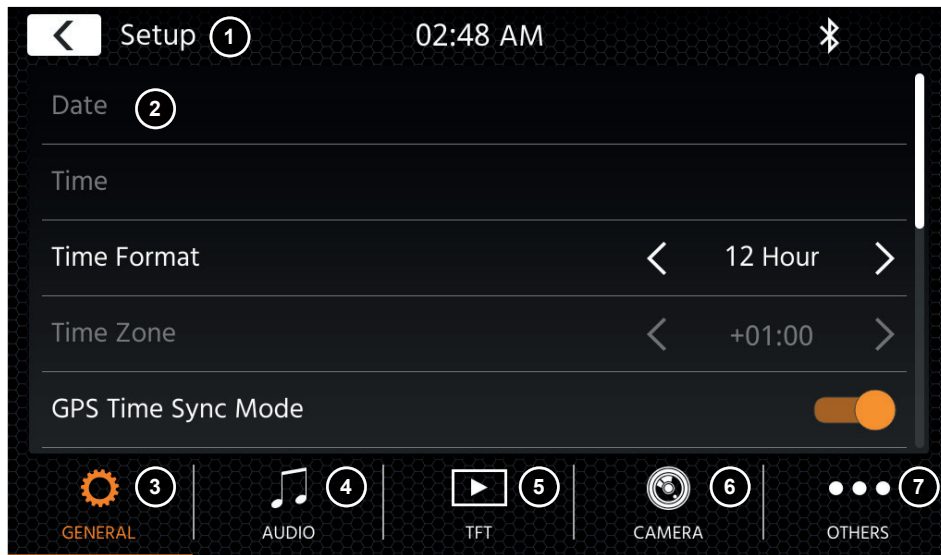
1. Muto: premere brevemente per disattivare l'audio dell'uscita XZENT. Premere di nuovo per annullare la funzione muto.
2. Vol-: Premere brevemente per ridurre il volume del canale audio attivo (media vol, voce, ecc.).
3. Vol+: Premere brevemente per aumentare il volume del canale audio attivo (media vol., voce, ecc.).
4. Skip back: Premere brevemente il tasto Skip back mentre è attiva la sorgente multimedia le DAB, USB, FM, ecc. per eseguire la stessa operazione. per eseguire la stessa operazione con i pulsanti del touchscreen.
5. Saltare brevemente al mentre la sorgente multimediale DAB, USB, FM, ecc. è attiva per eseguire la stessa operazione con i pulsanti dello schermo tattile. per eseguire la stessa operazione con i pulsanti dello schermo tattile.
6. Premere brevemente il tasto Pickup per accettare la chiamata in arrivo.
7. Premere brevemente HangUp per terminare la chiamata in corso.
8. SRC: Premere per selezionare una sorgente diversa tramite l'evidenziazione del menu principale.
9. FAV: premere brevemente per eseguire la funzione FAV assegnata dalle impostazioni del dispositivo (vedere capitolo impostazioni del dispositivo).
10. CAM: premere brevemente per aprire la sorgente della telecamera. Premere nuovamente per chiudere.
11. Modifica: Premere brevemente per rimuovere l'assegnazione dei pulsanti del volante e riassegnarli (vedi capitolo successivo).
12. Premere brevemente per caricare i valori di default della modalità 1.

### Processo di (ri)Assegnazione SWC:

Il processo è simile a entrambe le modalità SWC e si differenzia solo per altri pulsanti standard e alternativi. La funzione dei pulsanti standard e alternativi è spiegata all'inizio di questo capitolo per ciascuna modalità. Si noti che questa modalità NON riguarda la modalità di interfaccia IR-stalk. Premere il pulsante "Cambia" per iniziare a riassegnare le funzioni a proprio piacimento. Il sistema cancella tutti i pulsanti dal volante e seleziona il pulsante SWC in alto a sinistra, che deve essere assegnato per primo. È necessario assegnare tutti i pulsanti cancellati, uno per uno, dall'alto a sinistra verso il basso e poi a destra dall'alto verso il basso. Il pulsante corrente a cui assegnare una funzione sarà illuminato. Esempio: Per assegnare una funzione, selezionare l'icona di una funzione toccando il centro (ad esempio SRC / voce). Dopo aver contrassegnato la funzione desiderata (in questo esempio SRC / voce), premere il tasto SWC corrispondente (in questo esempio in alto a sinistra). A questo punto, il sistema oscurerà il pulsante SRC / voce al centro e assegnerà la funzione SRC / voce al pulsante SWC in alto a sinistra. In seguito sarà possibile attivare la funzione SRC/Voce premendo l'icona SWC in alto a sinistra (al posto del tasto MUTE predefinito). Dopo l'assegnazione del primo pulsante, il sistema illuminerà il pulsante successivo da assegnare con una funzione ancora disponibile (non sgranata) dal centro. Dopo che tutti i pulsanti dell'SWC sono stati definiti, è possibile chiudere l'assegnazione dell'SWC e utilizzare la nuova configurazione. Per ripristinare i valori predefiniti, premere il pulsante "Default". Le funzioni verranno ripristinate ai valori standard.

### Nota:

Le due modalità di SWC resistivo a basso o alto ohm possono funzionare solo in un intervallo specifico. Se un veicolo ha una combinazione di pulsanti di entrambe le modalità, non tutti i pulsanti SWC possono essere supportati.



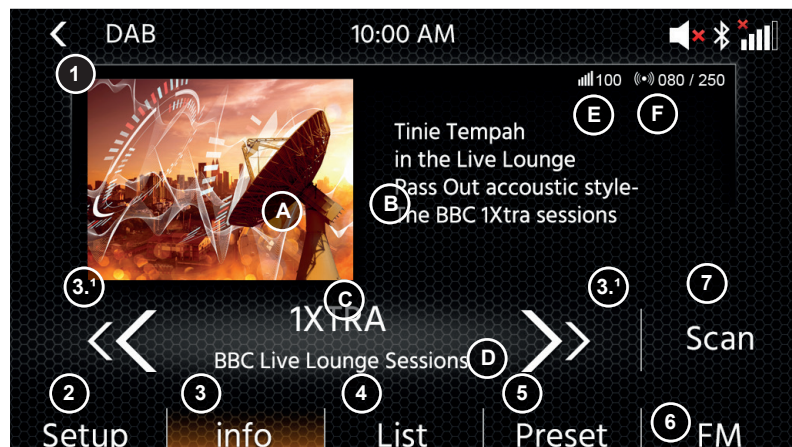
## Pulsanti di funzionamento:

1. Indietro Premere per tornare alla schermata iniziale.
2. Area liste L'area liste mostrata varia in base alla categoria selezionata in quel momento. Per visualizzare altre impostazioni, è possibile scorrere la lista verso l'alto o il basso oppure selezionare una categoria diversa nell'area inferiore.
3. In generale Contiene impostazioni generali quali lingua, data e ora, assegnazione tasti FAV.
  - 3(a) Lingua del sistema: Premere i tasti freccia per selezionare la lingua.
  - 3(b) Modalità sincronizzazione ora(DAB+): Premere per attivare/disattivare questa impostazione.
  - 3(c) FAV, pressione rapida: Premere i tasti freccia per assegnare una funzione diversa.
  - 3(d) FAV, pressione a lungo: Premere i tasti freccia per assegnare una funzione diversa.
  - 3(e) Segnale acustico: Premere per attivare/disattivare questa impostazione (la riproduzione di un segnale acustico a ogni pressione dei tasti).
  - 3(f) Microfono: Premere i tasti freccia per cambiare il microfono selezionato.
  - 3(g) Sfondo: Premere per selezionare uno sfondo diverso.
  - 3(h) Illuminazione tasti: premere per cambiare l'illuminazione del colore dei tasti
  - 3(i) Data: Premere per impostare una data manualmente (solo qualora la modalità Sincronizza fosse disattivata).
  - 3(j) Orario: Premere per impostare l'orario manualmente (solo qualora la modalità Sincronizza fosse disattivata).
  - 3(k) Fuso orario: Premere per impostare il fuso orario manualmente.
  - 3(l) Formato orario: Premere i tasti freccia per scegliere tra il formato a 12 o 24 ore.
  - 3(m) Connettività Apple: premere per modificare la modalità
4. Audio Contiene le impostazioni per regolare l'audio e i suoni.
  - 4(a) Bilanciamento: Premere i tasti freccia per spostare la posizione centrale a sinistra o a destra.
  - 4(b) Fader: Premere i tasti freccia per spostare la posizione centrale in avanti o indietro.
  - 4(c) Equalizzatore: Toccare per aprire l'equalizzatore. Qui è possibile selezionare diverse impostazioni predefinite dell'equalizzatore o modificare manualmente le bande di frequenza a piacimento.

Bilanciamento e Fader possono essere anche regolati visivamente oppure è possibile regolare i valori LPF, i livelli del subwoofer e l'intensità.

- 4(d) Intensità: Premere intensità ON/OFF.
- 4(e) Alimentazione subwoofer: Premere alimentazione subwoofer ON/OFF.
- 4(f) Guadagno Subwoofer: Premere il tasto freccia per modificare il guadagno del subwoofer se Alimentazione Subwoofer è impostato su ON.
- 4(g) Volume all'avvio: Premere il tasto +. Qui è possibile modificare individualmente tutte le sorgenti disponibili a livello di volume all'avvio. È possibile applicare l'ultimo volume utilizzato o impostare un volume fisso da usare all'avvio.
5. TFT Qui è possibile regolare le impostazioni a livello di schermo, come la modalità Luminosità e i valori relativi.
  - 5(a) Luminosità giorno TFT: Premere i tasti freccia per impostare il valore della modalità Giorno.
  - 5(b) Luminosità notte TFT: Premere i tasti freccia per impostare il valore della modalità Notte.
  - 5(c) Modalità Dimmer: Premere i tasti freccia per impostare questo valore.
    - Auto: la luminosità viene regolata in modo automatico con l'attivazione dei fari anteriori del veicolo (Notte).
    - Giorno: la luminosità è costantemente impostata sul valore della modalità Giorno.
    - Notte: la luminosità è costantemente impostata sul valore della modalità Notte.
  - 5(d) StandBy automatico del touchscreen: Qualora sia impostato un tempo di inattività, lo schermo si disattiverà se non viene utilizzato (l'audio continuerà a essere riprodotto in sottofondo).
6. Telecamera Consente di regolare le impostazioni della telecamera collegata per la visuale posteriore.
  - 6(a) Telecamera retromarcia: Premere i tasti freccia per regolare questo valore.
    - Cam1: Utilizzerà l'ingresso Video Cam1
    - Cam2: Utilizzerà l'ingresso Video Cam2
    - Cam1+Cam2: Utilizzerà la Video Cam1 in retromarcia e passerà automaticamente alla Cam2, dopo un brevissimo intervallo, quando viene disinserita la retromarcia.
  - 6(b) Disattiva telecamera retromarcia: Premere per modificare il valore (Disattiva audio, Ridici audio, Off)
  - 6(c) Spegnimento posticipato della telecamera retromarcia: Premere i tasti freccia per modificare il tempo del ritardo con cui la visuale della telecamera si chiude in automatico dopo aver disinserito la retromarcia.
  - 6(d) Immagine da telecamera: Premere i tasti freccia per regolare questo valore (normale oppure orizzontale a specchio).
  - 6(e) Reticoli Telecamera 1: Premere per attivare e disattivare i reticoli della telecamera 1. Alla sorgente della telecamera, è possibile regolare la posizione dei reticoli, se la funzione è impostata su ON.
  - 6(f) Reticoli Telecamera 2: Premere per attivare e disattivare i reticoli della telecamera 2. Alla sorgente della telecamera, è possibile regolare la posizione dei reticoli, se la funzione è impostata su ON
7. Varie Qui si trovano informazioni sulla versione del software del dispositivo e sulle impostazioni di fabbrica.
  - 7(a) Versione software: Premere il tasto + per visualizzare la versione del software di sistema dell'unità.
  - 7(b) Installazione del software: Premere il tasto More per avviare l'installazione del software dalla porta USB-1.
    - Se non vengono trovati i file, i pulsanti per procedere non verranno abilitati.
  - 7(c) Impostazioni di fabbrica: Premere il tasto + e confermare qualora si desideri riportare l'unità alle impostazioni di fabbrica.
  - 7(d) Assegnazione SWC Premere per aprire la schermata di assegnazione SWC per la modalità Tasto analogico (non per la modalità IR-Stalkinterface)
  - 7(e) Licenza Open Source: premere per vedere il testo della licenza.
  - 7 (f) Legale: premere per vedere le voci legali.

È possibile accedere alla sorgente DAB anche premendo il pulsante del sensore DAB sul pannello anteriore o la relativa icona nella schermata principale. È inoltre possibile passare direttamente dalla sorgente FM a quella DAB tramite il pulsante DAB nell'angolo in basso a destra della sorgente FM. Con la sorgente DAB è possibile usufruire dei servizi radio digitali arricchiti abilitati tramite il nuovo standard DAB+. Nella sezione in basso è possibile cambiare la categoria che si occuperà di aggiornare di conseguenza l'area principale della sorgente.



**Pulsanti di funzionamento**

- 1. Indietro Premere per tornare alla schermata iniziale.
- 2. Impostazioni
  - 2(a) Reset: premere per svuotare l'elenco e avviare una nuova scansione
  - 2 b) Scansione comfort: premere per attivare/disattivare la scansione comfort.
  - 2(c) Alimentazione antenna: Premere per attivare/disattivare l'alimentazione a 12 V per l'antenna DAB.
  - 2(d) Firmware DAB: Mostra la versione attuale del firmware DAB.
- 3. Informazioni
  - Qui è possibile visualizzare il logo della stazione radio in riproduzione nonché testi e immagini della presentazione trasmessa dalla stazione radio.
  - 3.1 Premere i tasti freccia per cambiare la stazione radio dell'insieme selezionato. Premere e tenere premuti i tasti freccia per passare all'insieme possibile successivo: verrà riprodotta in automatico la prima stazione radio del nuovo insieme.
  - 3 (A) Variabile della presentazione o immagini MOT della presentazione ricevute trasmesse dalla stazione selezionata.
  - 3 (B) Testo DLS; 3 (C) etichetta servizio / nome stazione; 3 (D) etichetta insieme
  - 3 (E) Qualità del segnale della stazione selezionata.
  - 3 (F) Conteggio dell'elenco delle stazioni / stazioni max.
  - 3 (G) Qualità del segnale della stazione selezionata.
- 4. Lista
  - Qui è possibile visualizzare tutti gli insiemi ricevuti, che verranno periodicamente aggiornati. Toccare un insieme per selezionarlo e visualizzare le stazioni che contiene, che sarà possibile riprodurre direttamente con un semplice tocco.
- 5. Stazione preimpostata
  - Qui vengono visualizzati i pulsanti relativi alle stazioni preimpostate, che fungono da selezione rapida o da pulsanti delle stazioni radio preferite. Per salvare la stazione radio in riproduzione come stazione preimpostata, premere e tenere premuto fino a quando il pulsante verrà aggiornato con le informazioni della stazione radio desiderata.
- 6. FM Premere il pulsante per passare direttamente alla sorgente radio FM.
- 7 SCAN: premere per cercare nuove stazioni e aggiornare l'elenco delle stazioni.

**Note:**

Alcune funzionalità dipendono dalla stazione trasmessa o dal segnale in ricezione. È possibile accedere alla sorgente FM anche premendo il relativo pulsante sul pannello anteriore o l'icona nella schermata principale. È inoltre possibile passare direttamente dalla sorgente DAB a quella FM tramite il pulsante FM nell'angolo in basso a destra della sorgente DAB. Nella sezione in basso è possibile cambiare la categoria che si occuperà anche di aggiornare di conseguenza l'area principale della sorgente.



**Pulsanti di funzionamento**

- 1. Indietro: Premere per tornare alla schermata iniziale.
- 2. Impostazioni: Qui vengono visualizzate le impostazioni aggiuntive relative alla sorgente FM.
  - 2(a) Salvataggio automatico: Premere Avvia per avviare la ricerca automatica con memorizzazione in stazioni preimpostate.
  - 2(b) Modalità: Premere i tasti freccia per modificare la modalità DX/LOC indicata vicino alla frequenza.
  - 2(c) AF: Premere per attivare/disattivare la funzione AF (frequenze alternative).
  - 2(d) TA: Premere per attivare/disattivare la funzione TA (Informazioni sul traffico FM)
- 3. Info Qui è possibile visualizzare il nome della stazione e il testo della radio ricevuta. Tra i pulsanti di ricerca su e giù (tasti freccia) viene visualizzata anche la frequenza. Premere i tasti freccia per avviare la ricerca su/giù verso la stazione radio ricevibile successiva.
- 4. Scala
  - (A) Banda di scala delle frequenze FM con indicazione della frequenza a cui ci si è sintonizzati in quel momento.
  - (B) Frequenza del set attuale.
  - (C) Modalità FM attuale. Può essere modificata in Impostazioni FM.
  - 4.1 Premere i tasti freccia per procedere a singoli passi di 0.1 MHz verso l'alto/il basso.
  - 4.2 Premere i tasti freccia per avviare la ricerca su/giù verso la stazione radio ricevibile successiva.
- 5. Stazione preimpostata Qui vengono visualizzati i pulsanti relativi alle stazioni preimpostate, che fungono da selezione rapida o da pulsanti delle stazioni radio preferite. Per salvare la stazione radio in riproduzione come stazione preimpostata, premere e tenere premuto fino a quando il pulsante verrà aggiornato con le informazioni della stazione radio desiderata.
- 6. DAB Premere il pulsante per passare direttamente alla sorgente radio DAB.

**Nota:**

L'unità è dotata di un sintonizzatore radio con funzione RDS. L'RDS (Radio Data System) è un sistema che trasmette le informazioni della stazione radio insieme ai programmi FM. La disponibilità del servizio RDS e dei suoi contenuti dipende dalla stazione radio che trasmette e dalla potenza del suo segnale. Ad esempio, la funzione RDS trasmette frequenze alternative che consentono la modifica della frequenza senza l'interazione dell'utente. Per poter utilizzare la funzione RDS deve essere attivata la funzione AF (selezione automatica della frequenza).

## SORGENTE MUSICA (A/V) USB/IPOD/BLUETOOTH

È possibile accedere alle sorgenti USB e iPod anche attraverso la relativa icona nella schermata principale e musica BT con un telefono collegato tramite la sorgente Bluetooth per riprodurre audio (BT, USB, iPod) o video (solo USB).

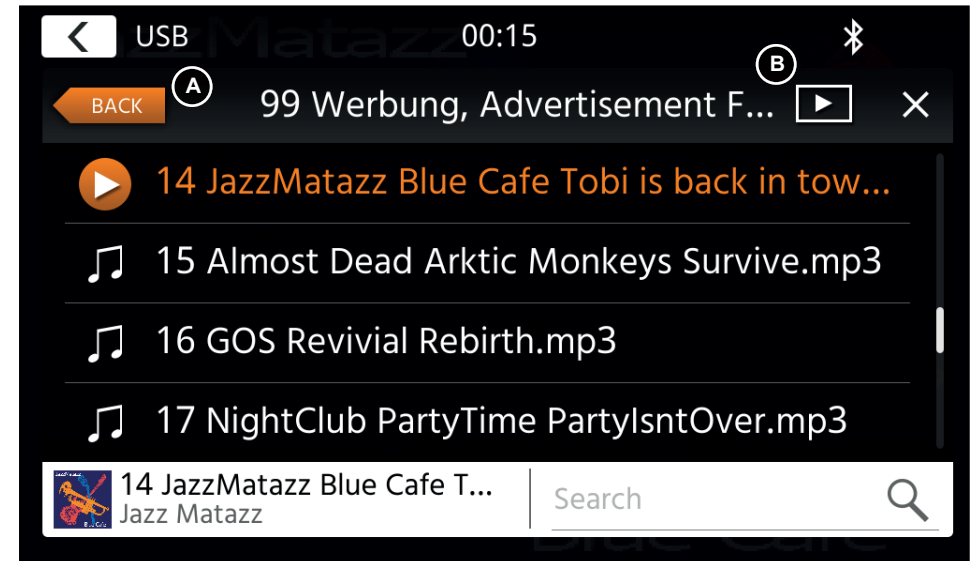
La riproduzione dei file avviene in modo simile per tutte le sorgenti ed è possibile controllato tramite l'interfaccia del Mediaplayer. Per riprodurre video in modalità USB è necessario modificare il filtro standard nella schermata della lista (4) nel tipo file video (B).



In questa visuale principale vengono visualizzati i controlli del Mediaplayer. Come di consueto, è possibile utilizzare i pulsanti di pausa/ripresa/riproduzione o salta per riprodurre il brano successivo. È inoltre possibile attivare speciali quali la ripetizione e la ripetizione casuale.

### Pulsanti di funzionamento:

1. Indietro Premere per tornare alla schermata iniziale.
2. EQ Premere per aprire le impostazioni dell'equalizzatore (vedere il capitolo relativo alle impostazioni del dispositivo).
3. Ricerca Premere per aprire lo strumento di ricerca (non disponibile in Musica Bluetooth).
4. Lista Premere per aprire la schermata della lista (non disponibile in Musica Bluetooth).



Nella modalità schermata della lista (non disponibile in Musica Bluetooth) è possibile sfogliare i file multimediali come fossero un elenco di file in una cartella. Per aprire una cartella, toccarla per visualizzarne il contenuto, che è possibile riprodurre toccando direttamente i vari brani. Verranno visualizzati con l'icona di riproduzione oltre che nella parte inferiore. Per tornare indietro di un livello, utilizzare il pulsante Indietro (A) oppure modificare il tipo di supporto multimediale video (solo in modalità USB) premendo l'icona del filtro (B).

### Note aggiuntive alla riproduzione di video:

La riproduzione di video è possibile soltanto qualora venga inserito il freno a mano del veicolo.

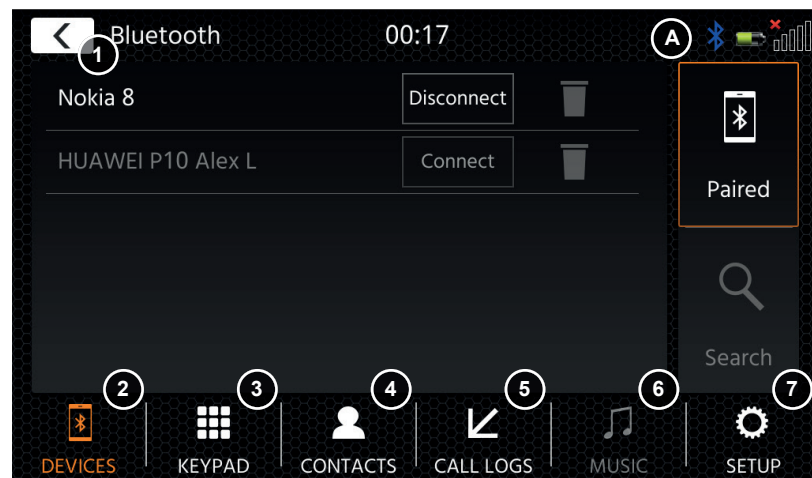
La riproduzione sarà in modalità schermo intero; per uscire da questa modalità basterà premere l'area touchscreen dell'unità.



## ABBINAMENTO, CONNESSIONE, CHIAMATE, MUSICA BLUETOOTH

A inizio utilizzo la categoria (2) è attiva ed è possibile abbinare telefoni compatibili tramite scansione o ricerca. Assicurarsi che il telefono sia visibile finché non verrà visualizzato nella lista dei risultati di ricerca. Per abbinarlo, toccare la linea del telefono desiderato tra quelli elencati e confermare l'accesso con il tasto relativo. Assicurarsi anche di concedere l'autorizzazione ad accedere ai contatti. I telefoni attivi o collegati in automatico vengono visualizzati nell'area di stato (A) con un'icona Bluetooth attiva, oltre all'icona della batteria e della potenza del segnale (se supportate).

Nella sezione in basso è possibile scegliere un'altra categoria che aggiornerà l'area di visualizzazione principale.

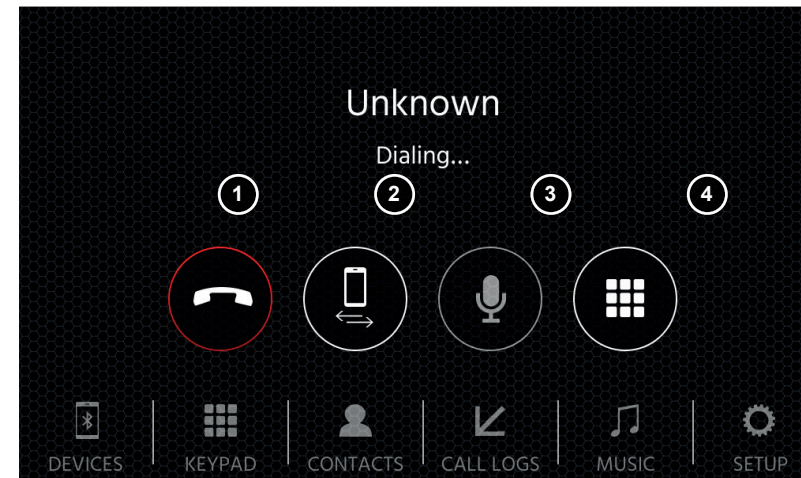


### Pulsanti di funzionamento

1. Indietro  
Premere per tornare alla schermata iniziale.
2. Dispositivi  
Qui è possibile gestire i telefoni abbinati (collegamento/scollegamento manuale, eliminazione) o aggiungerne di nuovi tramite ricerca.  
Toccare il pulsante di collegamento/scollegamento per scollegare manualmente e collegare un altro telefono.  
Toccare il pulsante dell'icona del cestino per eliminare un telefono abbinato  
Nota: è possibile soltanto collegare un singolo telefono alla volta.
3. Tastierino numerico  
Premere per aprire il tastierino numerico del telefono attivo.
4. Contatti  
Premere per aprire la rubrica dei contatti del telefono attivo.  
È possibile risincronizzare manualmente qualora non tutti i contatti fossero visualizzati o nuovi contatti fossero stati aggiunti al telefono.  
È possibile scorrere la lista o usare la funzione di ricerca per cercare un contatto.  
È possibile utilizzare un contatto come fosse una cartella e toccarlo per aprire e visualizzarne i numeri che contiene.  
Toccare il numero desiderato per avviare un tentativo di chiamata.  
Utilizzare il pulsante Indietro arancione in alto a sinistra della schermata della lista per sfogliare passando di un livello verso l'alto.
5. Registro chiamate  
Qui viene visualizzata una schermata della lista separata per le chiamate in uscita, ricevute/in arrivo o perse.  
È possibile toccare una riga per avviare un tentativo di chiamata.
6. Musica  
Premere per avviare la riproduzione di musica con Bluetooth tramite A2DP.  
Nota: Alcuni smartphone richiedono di avviare prima la propria app di musica.  
L'utilizzo del lettore di musica con Bluetooth è descritto nel capitolo "Sorgente (A/V) USB/IPod/Musica Bluetooth"
7. Configurazione  
Premere per aprire le impostazioni del Bluetooth e visualizzare opzioni avanzate quali connessione automatica, risposta automatica, impostazioni lista contatti e regolazioni per il microfono.  
6(a) Connessione automatica: Premere per attivare/disattivare questa impostazione.  
6(b) Risposta automatica: Premere per attivare/disattivare questa impostazione.  
6(c) Guadagno microfono: Premere i tasti freccia per modificarne i valori.  
6(d) Ordine dei contatti: Premere i tasti freccia per modificarne il valore.

In caso di chiamata in arrivo/uscita o attiva, l'unità passerà in automatico alla modalità schermo intero e mostrerà il nome del contatto o il numero (se disponibile) oppure niente se l'identificativo del chiamante è sconosciuto o nascosto.

In base allo stato della chiamata (avviata, in attesa di risposta, in composizione, attiva) è possibile riagganciare, rifiutare, accettare una chiamata (1), mentre qualora la chiamata fosse attiva è possibile passare alla modalità privata (2) o agli altoparlanti del veicolo, disattivare il microfono XZENT (3) o aprire il tastierino numerico per le opzioni di chiamata (4).



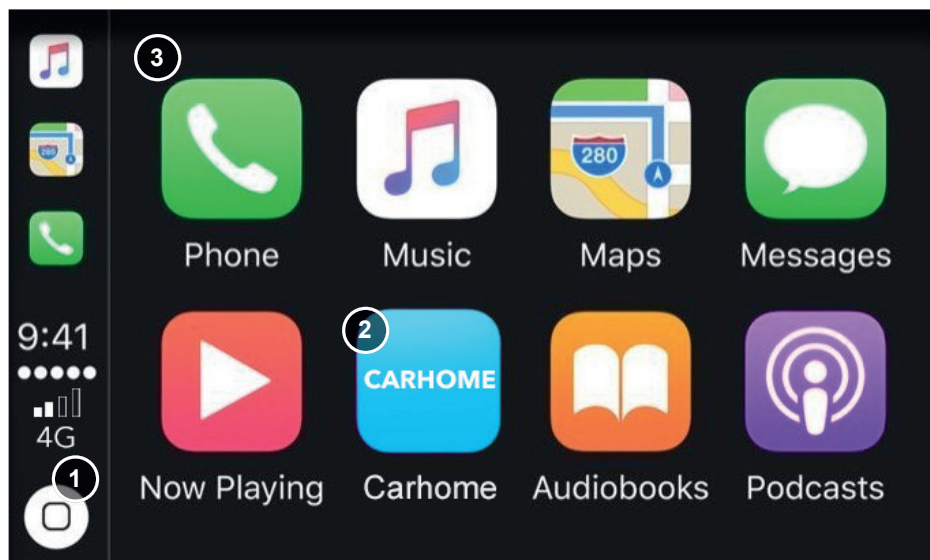
Grazie ad Apple Car Play, puoi accedere alle App compatibili e ai servizi online del tuo iPhone dalla tua auto e gestirli in modo intuitivo con il display del dispositivo XZENT o l'assistente vocale di Apple.

### PREPARAZIONE:

- Collegare l'iPhone compatibile con la porta USB-1 (grigio) del dispositivo XZENT.
- Se il Bluetooth non viene abbinato automaticamente, collegarlo manualmente.
- Sbloccare l'iPhone.

### PRIMO FUNZIONAMENTO:

1. Per il primo funzionamento, il veicolo non deve essere in movimento e il freno a mano deve essere inserito.
  2. Toccare l'icona CarPlay sul menu principale del dispositivo XZENT per selezionare la sorgente CarPlay. Dopo che l'operazione iniziale è stata completata con successo, sullo schermo del dispositivo XZENT viene visualizzata l'interfaccia utente di CarPlay.
1. Toccare per visualizzare la schermata iniziale di CarPlay.
  2. Toccare per aprire il menu principale XZENT.
  3. Toccare una delle icone APP per avviare l'applicazione.



**Nota:** è possibile avere solo una guida a destinazione attiva. Se si avvia una guida a destinazione con CarPlay, la sorgente di navigazione nativa viene interrotta per evitare i messaggi vocali di 2 sistemi di guida a destinazione. La sorgente di navigazione non viene più avviata automaticamente e deve essere avviata manualmente al successivo utilizzo. Il passaggio dalla modalità 1 alla modalità 2 deve essere completato riavviando il dispositivo.

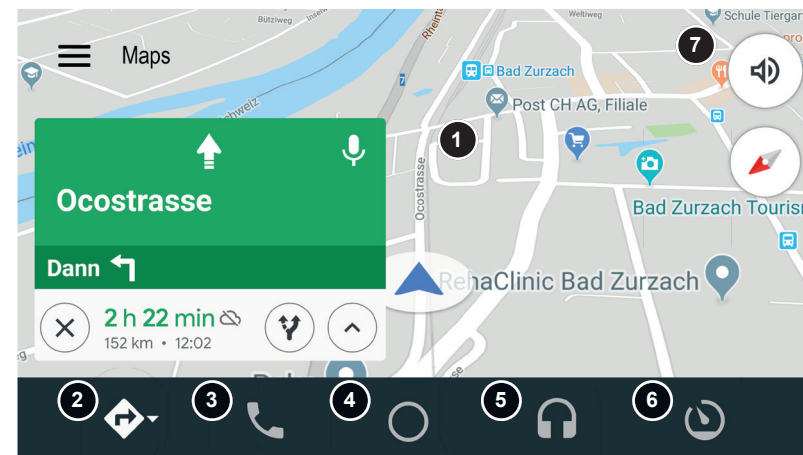
Con Google Android Auto, è possibile accedere alle app e ai servizi online compatibili dello smartphone Android in auto e gestirli in modo intuitivo con il display del dispositivo XZENT o con l'assistente vocale di Google.

### PREPARAZIONE:

- Scaricare la App Android Auto da Google Play Store.
- Collegare lo smartphone Android con il connettore USB anteriore del dispositivo XZENT.
- Bluetooth verrà stabilito automaticamente alla prima connessione al connettore USB anteriore.

### PRIMO FUNZIONAMENTO:

1. Per il primo funzionamento, il veicolo non deve essere in movimento e il freno a mano deve essere inserito.
2. Toccare l'icona Android Auto sul menu principale del dispositivo XZENT per selezionare la sorgente Android Auto.
3. Segui il dialogo sullo schermo dello smartphone per installare Android Auto e configurare il comportamento di avvio. È possibile modificare il comportamento di avvio selezionato nelle operazioni di configurazione in qualsiasi momento successivo.
4. Dopo che l'operazione iniziale è stata completata con successo, sullo schermo del dispositivo XZENT viene visualizzata l'interfaccia utente di Android Auto.



1. Interfaccia utente Android Auto.
2. Navigazione.
3. Telefonia.
4. Aprire l'interfaccia utente Android Auto.
5. Riproduzione multimediale.
6. Aprire il menu principale XZENT.
7. Attivare il comando vocale Android Auto.

### Nota:

- Android Auto potrebbe non essere disponibile su tutti i dispositivi e non è disponibile in tutti i Paesi e le regioni.
- Per utilizzare Android Auto con lo smartphone Android, questo deve aver installato almeno una versione Android 5.0 (Lollipop) o successiva del sistema operativo Android.
- Per maggiori informazioni su Android Auto, consultare <https://www.android.com/auto/> e <https://support.google.com/androidauto#topic=6348027>

L'X-127 dispone di 2 ingressi per telecamera. CAM1 e CAM2 AV IN si trovano sul cavo AV a 24 pin (connettore B).

Il dispositivo attiverà l'alimentazione della telecamera tramite 12 VDC (PWR Cam1 12VDC o PWR Cam2 12VDC sul cavo AV a 24 pin) per consentire l'immissione di immagini di una telecamera alla volta. Non collegare l'alimentazione della telecamera a un'alimentazione permanente per evitare la sovrapposizione delle immagini di CAM1 e CAM2 e il funzionamento continuo.

Se l'impostazione XZENT è impostata su CAMERA>CAM1+CAM2, la sorgente della telecamera è in modalità doppia e si può premere il pulsante CAM Switch per cambiare l'immagine da CAM 1 a CAM2. Per impostazione predefinita, XZENT è impostato su CAMERA>CAM1.

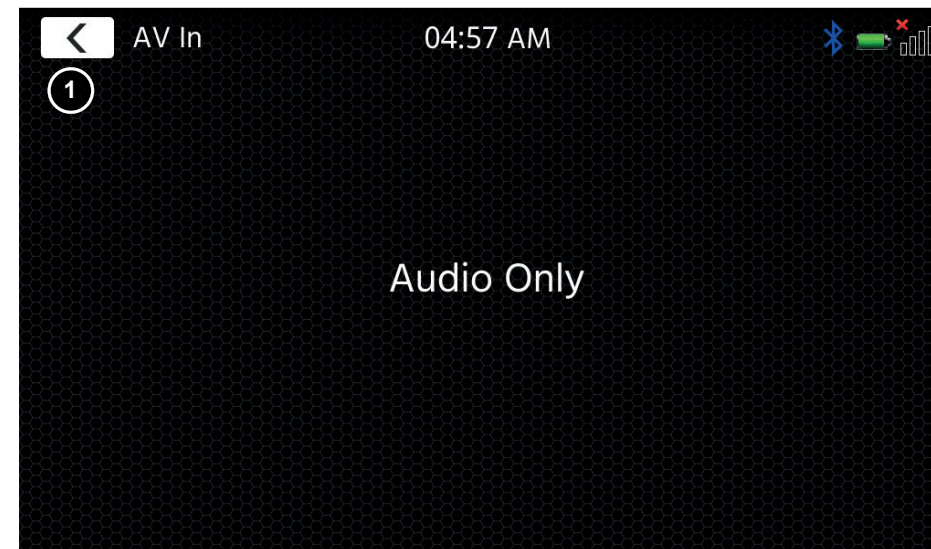
Ogni sorgente telecamera ha un colore diverso per le linee della telecamera, che possono essere disattivate e attivate nelle impostazioni principali di XZENT.

Per regolare le linee della telecamera in base alle proprie esigenze, attivare la sorgente CAM corrispondente premendo l'icona CAM nel menu principale o inserire la retromarcia (CAM 1). Quando l'immagine della telecamera è visibile, premere la ruota dentata per accedere alle impostazioni della telecamera. Ogni sorgente di telecamera può salvare una regolazione individuale delle linee della telecamera.

È possibile accedere alla sorgente A/V-IN e HDMI anche tramite la relativa icona nella schermata principale. La sorgente fornirà l'ingresso del segnale A/V-IN o HDMI al tuo dispositivo XZENT. Non esiste alcuna operazione touch specifica, oltre al pulsante Torna alla schermata iniziale.

#### Pulsanti di funzionamento

1. Indietro Premere per tornare alla schermata iniziale.



## CONDIZIONI DI GARANZIA

### Quali prodotti sono coperti dalla Garanzia limitata di XZENT?

La Garanzia limitata (la "Garanzia") si applica ai prodotti XZENT acquistati presso un rivenditore autorizzato da clienti finali all'interno dello Spazio economico europeo o nella Confederazione elvetica ("Ambito di applicazione territoriale").

### Qual è il periodo di validità della garanzia di XZENT?

In base alla presente Garanzia, XZENT garantisce, per un periodo di 2 anni, che il prodotto è privo di difetti di materiale e/o di lavorazione al momento del primo acquisto. Questo periodo di 2 anni decorre dalla data dell'acquisto originale secondo la fattura originale o fino alla presa in consegna. Se avete acquistato il prodotto come consumatore, e il difetto viene identificato entro i primi sei mesi dall'acquisto originale (vedi sopra), si presume che il difetto esistesse già al momento dell'acquisto.

### Chi può avvalersi della Garanzia?

XZENT concede la Garanzia limitata solo a persone fisiche, che hanno acquistato il prodotto in questione principalmente per uso personale.

### La Garanzia cosa copre?

XZENT garantisce che il prodotto è privo di difetti di materiale e/o di lavorazione al momento dell'acquisto originale. XZENT non fornisce tuttavia una garanzia che copra tutti i difetti e i danni che possono verificarsi. Essa copre solo le parti hardware del dispositivo, e in nessun caso il software utilizzato con il dispositivo, a prescindere dal fatto che sia stato fornito da XZENT o da un fornitore terzo. La Garanzia non copre quindi in particolare i seguenti casi:

- normale usura (ad esempio per le superfici e i rivestimenti protettivi);
- danni superficiali, come graffi, ammaccature e plastica danneggiata, collegamenti usurati o meccanicamente difettosi;
- uso improprio, tra cui qualsiasi trattamento che comporti danni fisici o superficiali al prodotto, come ad esempio un difetto cosmetico;
- danni causati dal collegamento o dall'utilizzo del prodotto per uno scopo diverso da quello specificato, oppure dalla mancata osservanza delle istruzioni per l'uso e/o l'installazione del modello in questione;
- installazione o utilizzo del prodotto in contrasto con le norme tecniche applicabili, o con le norme di sicurezza del paese in cui il prodotto è installato o utilizzato;
- danni causati da un tentativo di riparazione non autorizzato, o da un tentativo di riparazione da parte di qualcuno che non sia un partner autorizzato di XZENT;
- danni causati da modifiche al prodotto non espressamente autorizzate dal produttore;
- danni causati da codice dannoso ("virus del software") o dall'utilizzo di software non fornito con il prodotto o che è stato installato in modo non corretto;
- utilizzo di programmi software di fornitori terzi per la modifica, l'adattamento o l'estensione dei componenti software autorizzati di XZENT, così come vengono eseguiti sul prodotto;
- utilizzo di firmware/software di sistema operativo di fornitori terzi
- danni causati da liquidi o prodotti chimici di qualsiasi tipo e/o temperature eccessive o umidità;
- incidenti, cadute o altri effetti simili di forze di accelerazione estreme;
- danni causati da fulmini, carica elettrostatica, tensione di esercizio non corretta, acqua, incendio, forza maggiore, ventilazione insufficiente, per altri motivi non imputabili a XZENT;
- danni causati dall'utilizzo dell'apparecchio al di fuori delle specifiche definite;
- danni causati dall'uso del prodotto con altri sistemi o dispositivi, che non sono progettati per essere utilizzati con questo prodotto;
- regolazioni o modifiche senza la previa approvazione scritta di XZENT, compresi gli aggiornamenti del prodotto che vanno oltre le specifiche o le caratteristiche descritte nel manuale d'uso;
- modifiche del prodotto allo scopo di adattarlo alle norme tecniche nazionali o locali o agli standard di sicurezza dei paesi per i quali il prodotto non è stato espressamente progettato o fabbricato;
- utilizzo di riparazioni o di pezzi di ricambio non prodotti o distribuiti da XZENT;
- utilizzo del prodotto in connessione con accessori non approvati per l'uso con questo prodotto;

XZENT, inoltre, non garantisce (espressamente, implicitamente, per legge o in altro modo) la qualità, le prestazioni, l'affidabilità o l'idoneità del prodotto per uno scopo particolare, salvo quanto descritto, né del software/firmware installato sul dispositivo franco fabbrica.

Inoltre, non verrà fornito alcun servizio in garanzia se il numero di modello/numero di serie/identificatore univoco universale/numero di prodotto viene modificato, cancellato, reso illeggibile o rimosso. Lo stesso vale se la ricevuta o la fattura è incompleta e/o illeggibile al momento della presentazione.

### XZENT è responsabile per altri difetti o danni?

XZENT riparerà o sostituirà i prodotti solo se coperti dai termini della presente Garanzia. XZENT non è responsabile per qualsiasi perdita o danno materiale o immateriale, quali il prezzo pagato per il prodotto, la perdita di profitti, ricavi, dati o in relazione al godimento del prodotto o dei componenti ad esso associati, derivanti direttamente o indirettamente dalla presente Garanzia o altrimenti in relazione a prodotti o servizi. Ciò vale anche per perdite o danni relativi al danneggiamento o al guasto operativo del prodotto, o dei dispositivi ad esso associati, causati da difetti o dalla non disponibilità del prodotto durante il periodo di tempo in cui si trova presso XZENT o presso il partner di riparazione di XZENT, nonché per i periodi di fermo macchina e le interruzioni dell'attività. Inoltre, XZENT non si assume alcuna responsabilità per i rischi legati alla spedizione - come la perdita o la distruzione del prodotto - in relazione all'adempimento della Garanzia.

La presente limitazione di responsabilità si applica ai danni a prescindere dalla base giuridica, in particolare a causa di negligenza, altri comportamenti illeciti (illeciti civili), violazione del contratto, garanzie esplicite o implicite e responsabilità oggettiva (anche nel caso in cui XZENT o il suo partner di riparazione siano stati informati della possibilità che si verifichino tali danni).

Se queste limitazioni di responsabilità sono proibite o limitate dalla legge applicabile, XZENT limiterà la propria Garanzia e la responsabilità nella misura consentita dalla normativa applicabile. Ad esempio, alcune leggi nazionali vietano l'esclusione o la limitazione dei danni dovuti in relazione a negligenza, grave negligenza, reato intenzionale, condotta ingannevole e altri atti simili. Per la durata della presente Garanzia, ogni responsabilità che non può essere completamente esclusa, sarà limitata nella misura consentita dalla legge applicabile. Ai sensi della presente Garanzia la responsabilità è limitata al prezzo pagato per il prodotto. Se la legge applicabile consente solo limiti più elevati di responsabilità, si applicherà questa limitazione più elevata.

### Come posso esercitare i miei diritti di garanzia?

Se si desidera esercitare i diritti previsti dalla presente Garanzia, si prega di contattare il rivenditore autorizzato presso il quale è stato acquistato il prodotto e di presentargli la copia originale della ricevuta di cassa o della fattura. Non rendere alcun prodotto direttamente a XZENT, altrimenti i nostri obblighi di garanzia non potranno essere soddisfatti. Il nome del commerciante o del rivenditore in questione è riportato sulla prova d'acquisto. I dispositivi difettosi inviati dal rivenditore autorizzato al centro di assistenza, devono essere accompagnati da eventuali accessori con un collegamento logico al guasto rilevato. Ciò significa, ad esempio, il pacchetto di navigazione su una scheda SD o microSD fornita o acquistata con l'apparecchio, se sono stati osservati problemi o errori funzionali in relazione alla funzione di navigazione.

### Come farà XZENT ad adempiere alla propria Garanzia?

XZENT o il suo partner di riparazione sceglierà di riparare o sostituire il prodotto o le sue parti difettose coperte dalla Garanzia, assumendosi i costi del materiale e della manodopera.

Le riparazioni in garanzia devono essere effettuate da XZENT o dal suo partner autorizzato. I prodotti riparati o sostituiti possono contenere componenti e dispositivi nuovi e/o ricondizionati. I componenti che vengono estratti diventeranno di proprietà di XZENT.

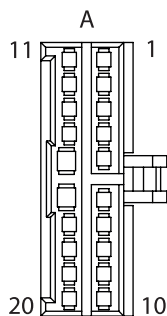
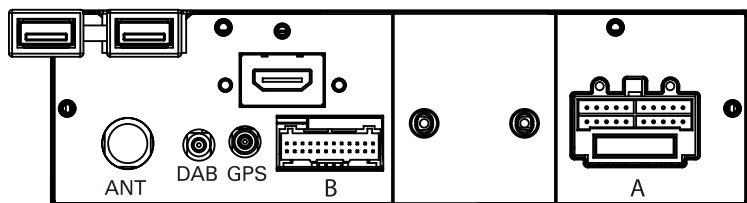
### Dovrò sostenere dei costi in relazione al servizio di garanzia?

XZENT si assume i costi del materiale e della manodopera in relazione al servizio di garanzia. Il titolare della Garanzia è responsabile delle spese di spedizione e si assume i rischi ad essa connessi (vedi sopra). Se il prodotto funziona senza malfunzionamenti, o non vi è alcun diritto di garanzia perché il periodo di garanzia è scaduto o per qualsiasi altro motivo, XZENT o il suo partner di riparazione autorizzato avrà il diritto di addebitare una commissione forfettaria di indagine di €30,00.

### La presente Garanzia incide sui miei diritti legali o contrattuali?

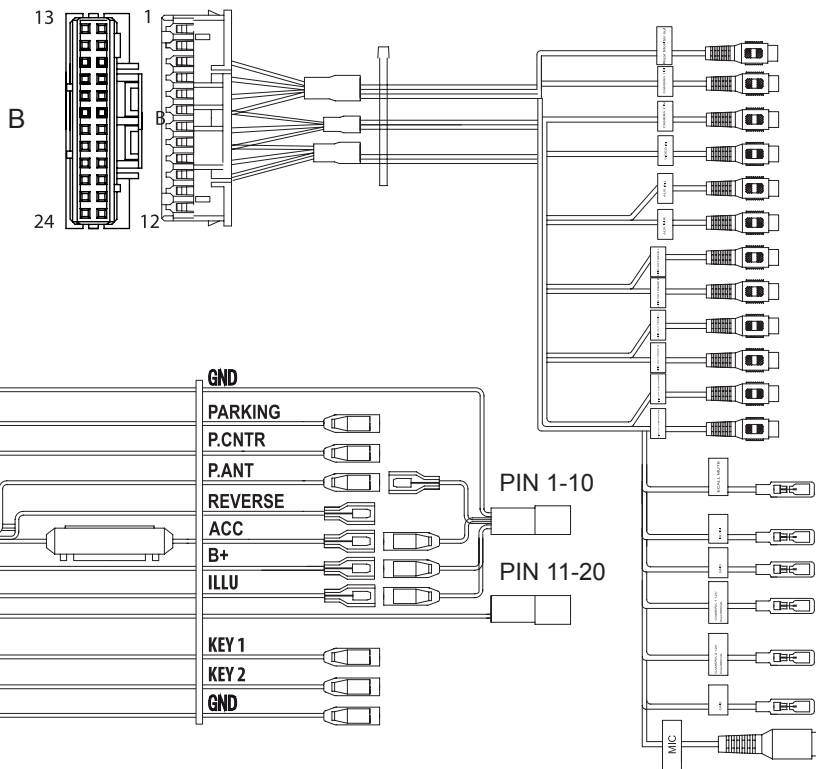
La presente Garanzia è prestata volontariamente da XZENT e, in ogni caso, estenderà i tuoi diritti legali. In qualità di consumatore, l'utente ha pieno diritto ai diritti previsti dalla legge, come la garanzia legale. La presente Garanzia non ha alcun effetto sui tuoi diritti contrattuali nei confronti del rivenditore. Puoi continuare ad esercitare pienamente questi diritti.

SCHEMA DI COLLEGAMENTO



PIN NO	Description	PIN NO	Description
1	FL+	11	FR+
2	FL-	12	FR-
3	RL+	13	RR+
4	RL-	14	RR-
5	NC	15	B+
6	NC	16	GND
7	ILLU	17	PARKING
8	ACC	18	P-CONT
9	REVERSE	19	P_ANT_CON
10	NC	20	NC

PIN NO	Description	PIN NO	Description
1	VIDEO OUT	13	NC
2	CAMERA 1/2, IN	14	AUX VIDEO
3	DGND	15	AUX IN (L)
4	AUX GND	16	AUX IN (R)
5	NC	17	RR LINE OUT
6	RL LINEOUT	18	FR LINE OUT
7	FL LINEOUT	19	SUB LINE OUT
8	AGND	20	CAMERA-2, 12V
9	IR IN	21	NC
10	NC	22	ECALL MUTE
11	AGND	23	CAMERA-1, 12V
12	MIC-	24	MIC+



Caratteristiche elettriche

Alimentazione: +12 V CC massa negativa  
 Protezione esterna da cortocircuito interno: fusibile 15 A Mini-ANL

Correnti di esercizio\*

ACC disattivato stato inattivo: <5,0 mA  
 Riproduzione Audio / Video (VOL 20): ~ 1,40 A  
 Modalità GPS con guida del percorso attiva con CarPlay o Google Android Auto: ~1,55 A, (VOL 20, nessuna modalità di ricarica) ~2,0 A (con ricarica)  
 Modalità GPS con guida del percorso attiva con CarPlay o Google Android Auto: ~1,55 A, (VOL 40, nessuna modalità di ricarica), ~4,1 A (con ricarica)

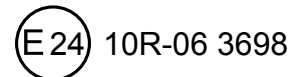
\* @ tensione di esercizio di 13,8 V con altoparlante anteriore e posteriore da 4 ohm collegato al dispositivo

Hereby, ACR Brändli + Vögeli AG declares that the type of radio equipment X-127 complies with the 2014/53/EU Directive. The full text of the EU Declaration of Conformity is available at the following Internet address: [www.xzent.com](http://www.xzent.com) (see link „Product Conformity Documents“ in the footer of the page).

Hiermit erklärt ACR Brändli + Vögeli AG, dass der Funkanlagentyp X-127 der Richtlinie 2014/53/EU entspricht. Der vollständige Text der EU-Konformitätserklärung ist unter der folgenden Internetadresse verfügbar: [www.xzent.com](http://www.xzent.com) (siehe Link „Dokumente zur Produktkonformität“ im Fussbereich).

ACR Brändli + Vögeli AG déclare par la présente que le type d'équipement radio X-127 est conforme à la directive 2014/53 / UE. Le texte complet de la déclaration de conformité UE est disponible à l'adresse Internet suivante: [www.xzent.com](http://www.xzent.com) (voir le lien „Documents de conformité du produit“ dans le pied de page à la page).

Con la presente ACR Brändli + Vögeli AG dichiara che il tipo di apparecchio radio X-127 è conforme alla Direttiva 2014/53 / UE. Il testo completo della Dichiarazione di conformità UE è disponibile al seguente indirizzo Internet: [www.xzent.com](http://www.xzent.com) (vedere il collegamento „Documenti di conformità del prodotto“ nella parte inferiore della pagina).





---

# XZENT

XZENT by ACR AG · Bohrturmweg 1 · Bad Zurzach · Switzerland  
[www.xzent.com](http://www.xzent.com)

**EU Legal Representative:** ACR S & V GmbH · Industriestraße 35 · D-79787 Lauchringen · Germany