



SAFTKISTE

EN

200 LTE-CONNECTED MOTOR-HOME LIFEPO4 BATTERY WITH DUALBMS®

TECHNICAL SPECIFICATIONS

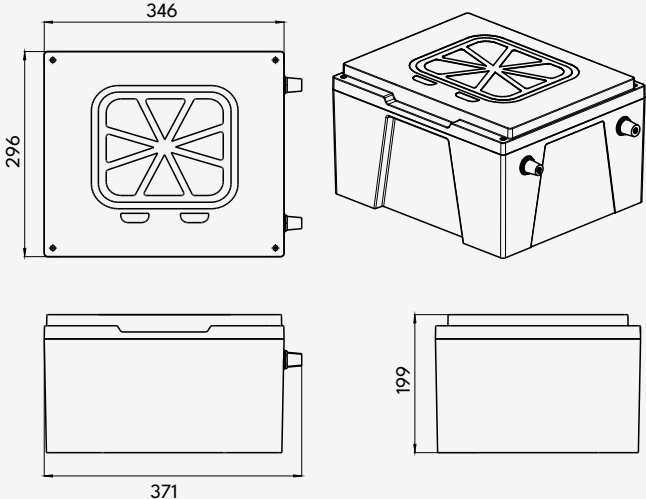
Rated capacity	200 Ah (2,6 kWh)
Nominal voltage	12 V
Charging voltage	14,2 - 14,6 V
Max. charging current	200 A (2,5 kW)
Standard discharge current	200 A (2,5 kW)
Peak discharge current	230 A (3,0 kW) for 60 sec. at 35°C
Self-discharge	3 to 16 Ah plus 3% of current capacity / month
Cascadability	Switchable: parallel and serial (to 24 V)
Battery computer	Integrated (smart-forecast energy monitor)
Bluetooth	Integrated (BLE 5.2)
LTE	Integrated (10 years, renewable)
Cell heating	Integrated (fully automatic)
Balancer	Integrated (inter-battery-balancing at 24 V)
Shunt	Integrated (detection threshold ~0,1 A)
Main switch	Integrated (PowerMOSFETs)
Battery terminal	Front or top
Temperature range	-30°C to +65°C
Protection class	IP65
Manufacturer's warranty	5 years
Dimensions (LxWxH)	346 x 296 x 199 mm
Weight	20,9 kg
Goods tariff number	8507 60 00 (country of origin: Germany)
Scope of delivery	Saftkiste, battery terminal adapter set, installation instructions and manual
Accessories (optional)	Vehicle mount Ducato, Transit or Universal

MODELS

Battery terminal arrangement
Front

Article number
BSL200V0000

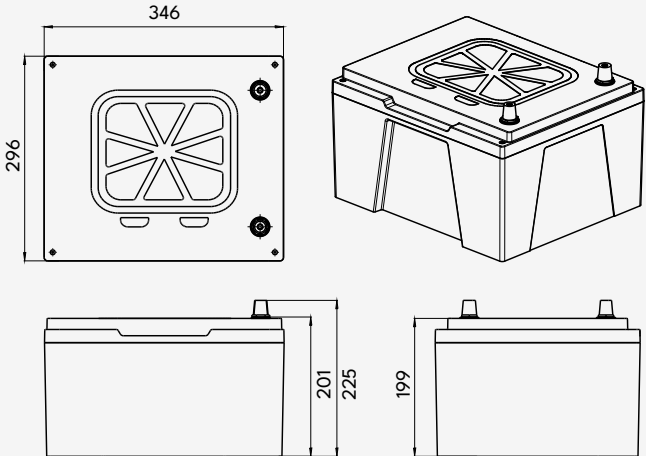
GTIN
4270003507714



Battery terminal arrangement
Top

Article number
BSL200O0000

GTIN
4270003507721



Note: The illustrations show the Saftkiste with screwed-in battery terminal adapters. These are optional and are included in the scope of delivery.